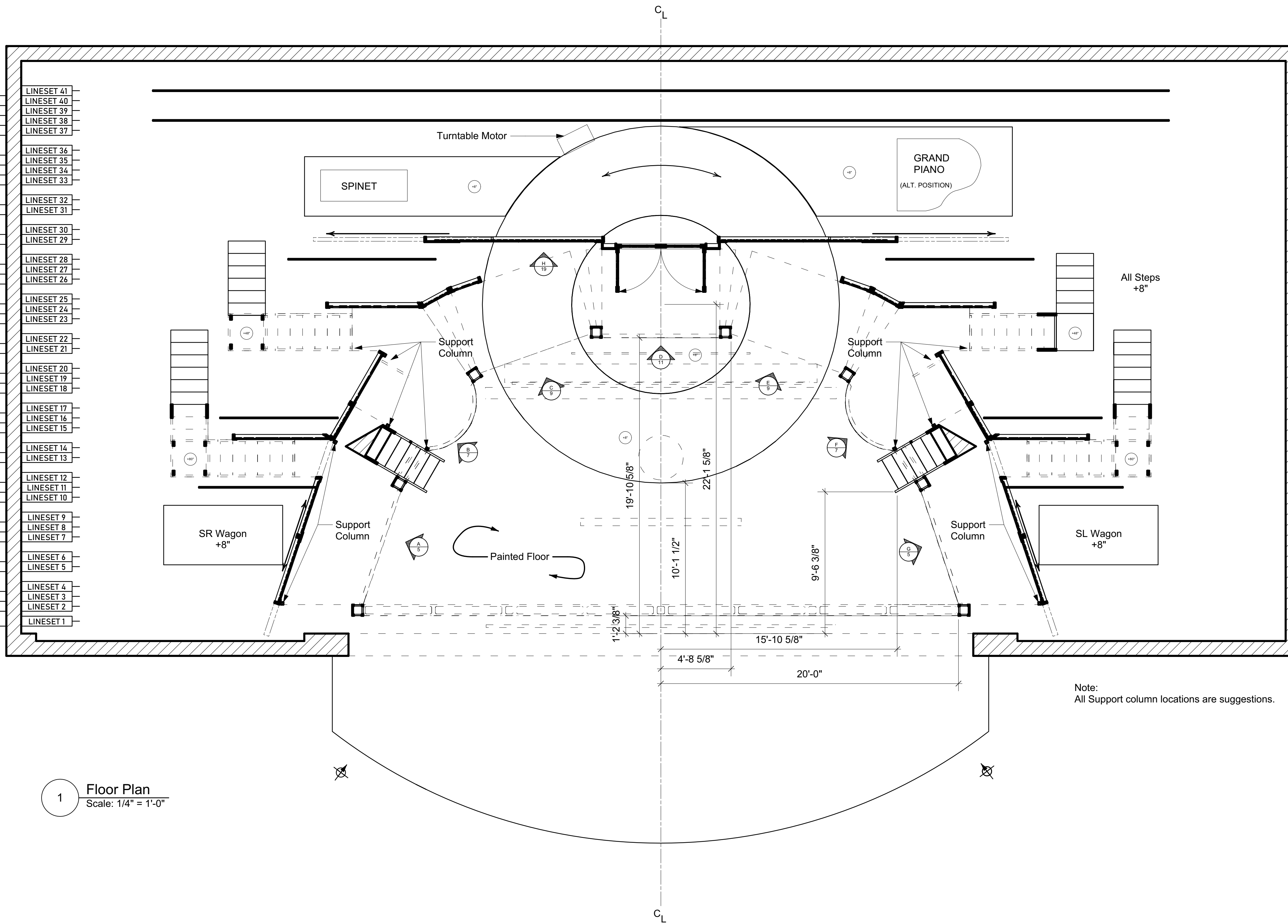

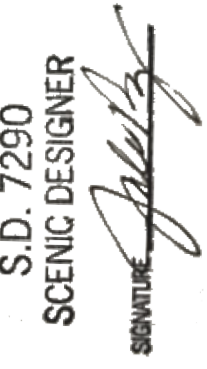


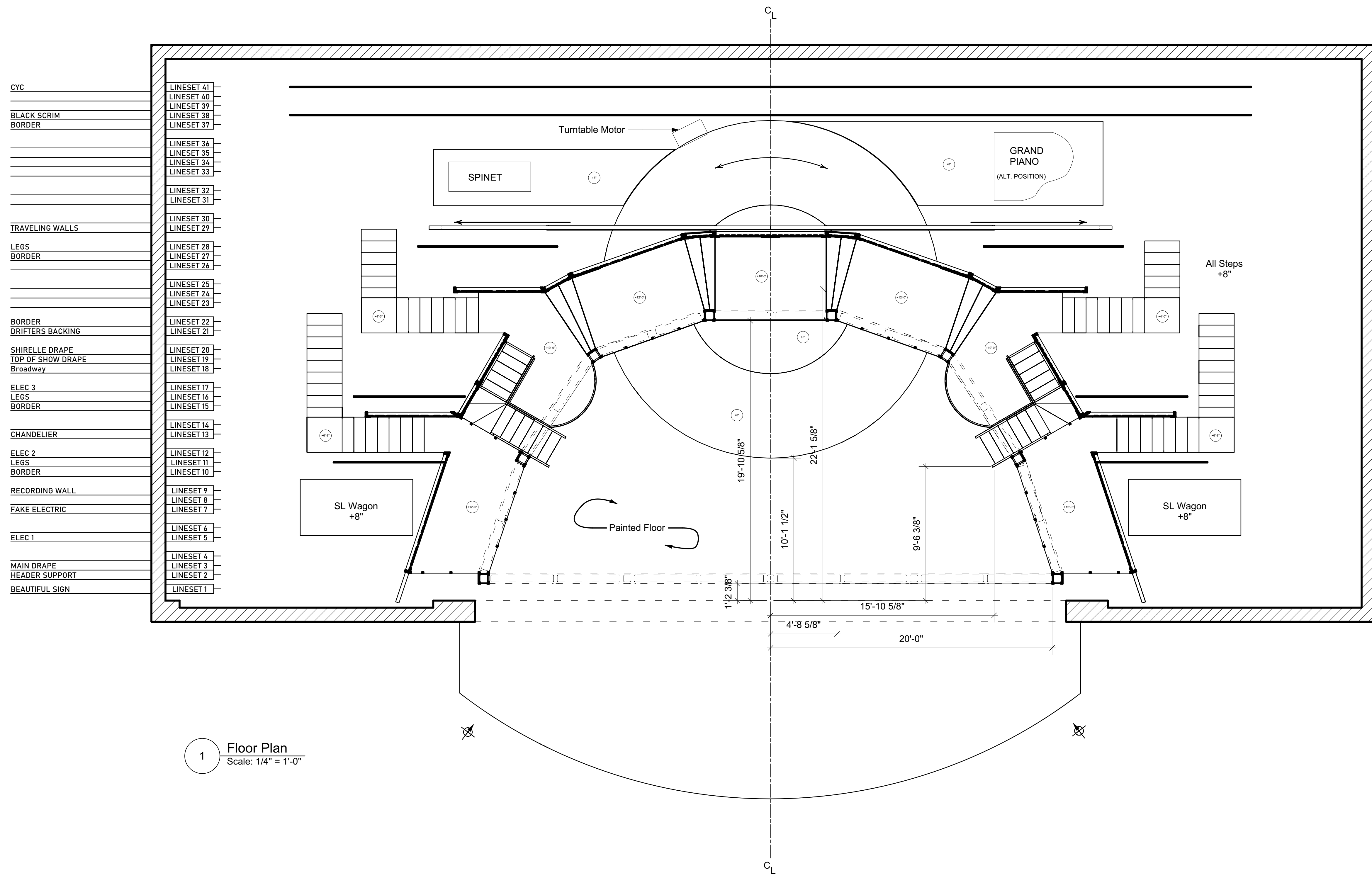
- CYC
- BLACK SCRIM BORDER
- TRAVELING WALLS
- LEGS BORDER
- BORDER DRIFTERS BACKING
- SHIRELLE DRAPE TOP OF SHOW DRAPE Broadway
- ELEC 3 LEGS BORDER
- CHANDELIER
- ELEC 2 LEGS BORDER
- RECORDING WALL FAKE ELECTRIC
- ELEC 1
- MAIN DRAPE HEADER SUPPORT
- BEAUTIFUL SIGN



1 Floor Plan
Scale: 1/4" = 1'-0"

Note:
All Support column locations are suggestions.

 S.D. 7290 SCENIC DESIGNER 	Designer/Contact Information: Julie Ray jaray@uga.edu (412) 215-7697	Drawn By: JMS Revision Date:	NOTES: <div style="border: 1px solid black; padding: 5px; margin-bottom: 5px;"> Project: Beautiful </div> <div style="border: 1px solid black; padding: 5px; margin-bottom: 5px;"> Producer: Aurora Theatre Purpose: Ground Plan 1st Level </div>
Date: 5/18/2023		Scale: 1/4" = 1'-0"	
Sheet: 1 OF 27			

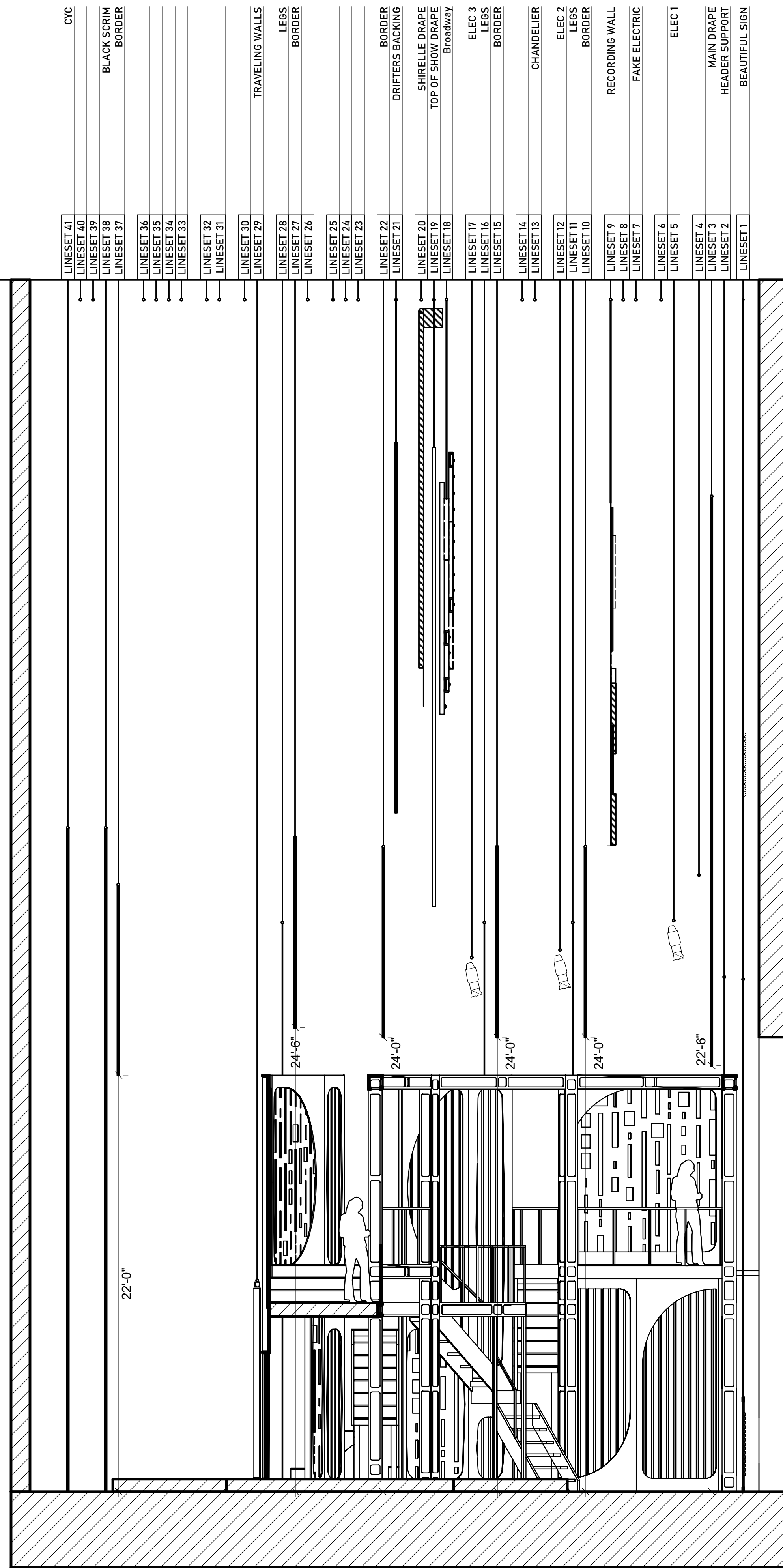


1 Floor Plan
Scale: 1/4" = 1'-0"

- CYC
- BLACK SCRIM BORDER
- TRAVELING WALLS
- LEGS BORDER
- BORDER DRIFTERS BACKING
- SHIRELLE DRAPE TOP OF SHOW DRAPE Broadway
- ELEC 3 LEGS BORDER
- CHANDELIER
- ELEC 2 LEGS BORDER
- RECORDING WALL FAKE ELECTRIC
- ELEC 1
- MAIN DRAPE HEADER SUPPORT
- BEAUTIFUL SIGN

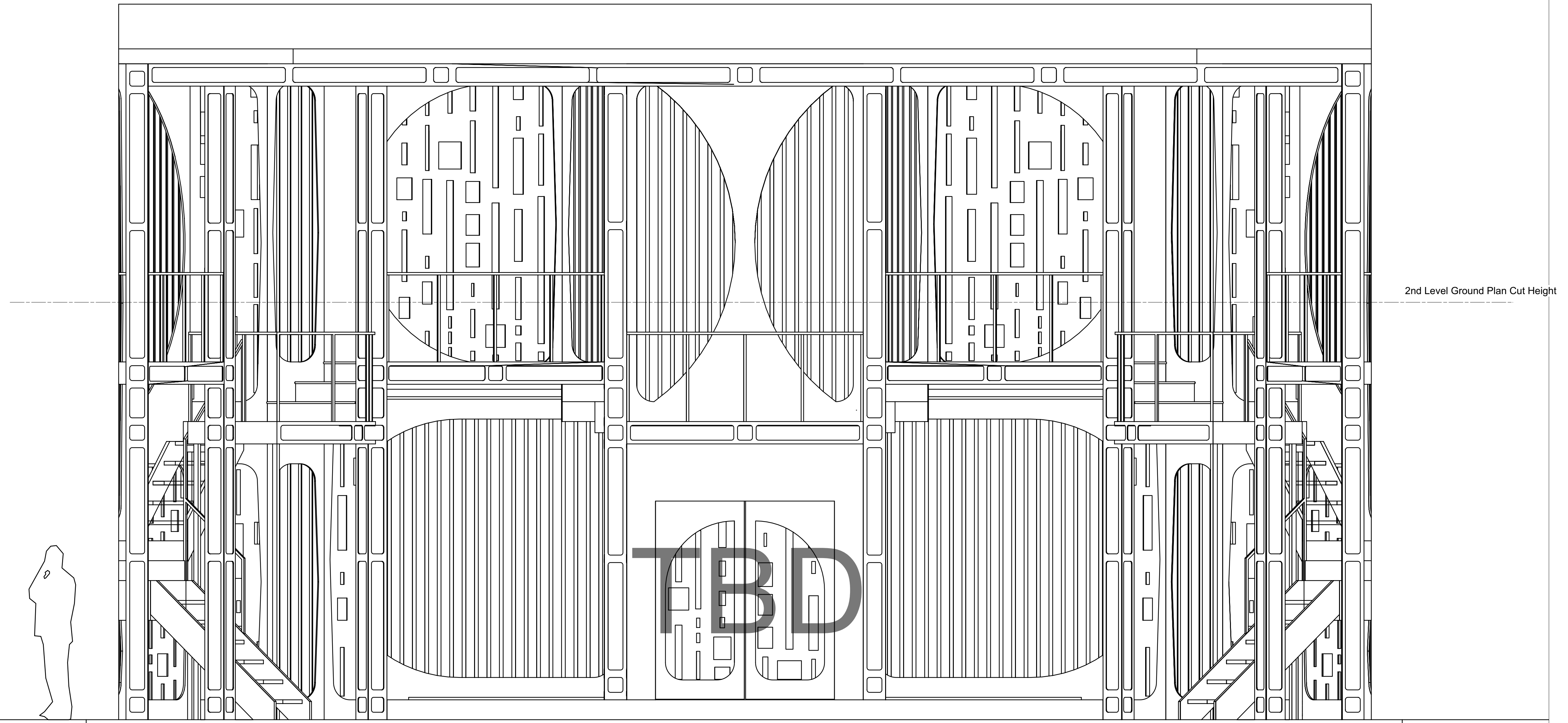
- LINESET 41
- LINESET 40
- LINESET 39
- LINESET 38
- LINESET 37
- LINESET 36
- LINESET 35
- LINESET 34
- LINESET 33
- LINESET 32
- LINESET 31
- LINESET 30
- LINESET 29
- LINESET 28
- LINESET 27
- LINESET 26
- LINESET 25
- LINESET 24
- LINESET 23
- LINESET 22
- LINESET 21
- LINESET 20
- LINESET 19
- LINESET 18
- LINESET 17
- LINESET 16
- LINESET 15
- LINESET 14
- LINESET 13
- LINESET 12
- LINESET 11
- LINESET 10
- LINESET 9
- LINESET 8
- LINESET 7
- LINESET 6
- LINESET 5
- LINESET 4
- LINESET 3
- LINESET 2
- LINESET 1

 S.D. 7290 SCENIC DESIGNER 	Designer/Contact Information: Julie Ray jaray@uga.edu (412) 215-7697	Drawn By: JMS Revision Date:
NOTES:		
<h1 style="font-size: 2em;">Beautiful</h1>	Project: Aurora Theatre	Producer: Aurora Theatre Purpose: Ground Plan 2nd Level
Date: 5/18/2023		
Scale: 1/4" = 1'-0"		
Sheet: <h1 style="font-size: 3em;">2</h1> OF <h1 style="font-size: 3em;">27</h1>		




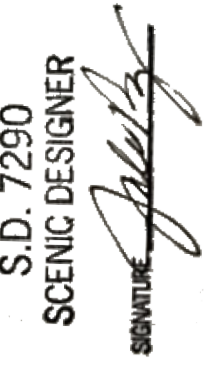
Section SL 1
Scale: 1/4" = 1'-0"

<p>S.D. 7290 SCENIC DESIGNER</p>	
<p>Designer/Contact Information:</p> <p>Julie Ray jaray@uga.edu (412) 215-7697</p>	
<p>Drawn By: JMS Revision Date:</p>	
<p>NOTES:</p>	
<p>Project: Beautiful</p>	
<p>Producer: Aurora Theatre</p>	<p>Purpose: Center Section</p>
<p>Date: 6/10/2023</p>	
<p>Scale: 1/4" = 1'-0"</p>	
<p>Sheet: 3 OF 27</p>	



1 Front Elevation
Scale: 1/2" = 1'-0"



 S.D. 7290
 SCENIC DESIGNER


Designer/Contact Information:
Julie Ray
 jaray@uga.edu
 (412) 215-7697
 Drawn By: JMS
 Revision Date:

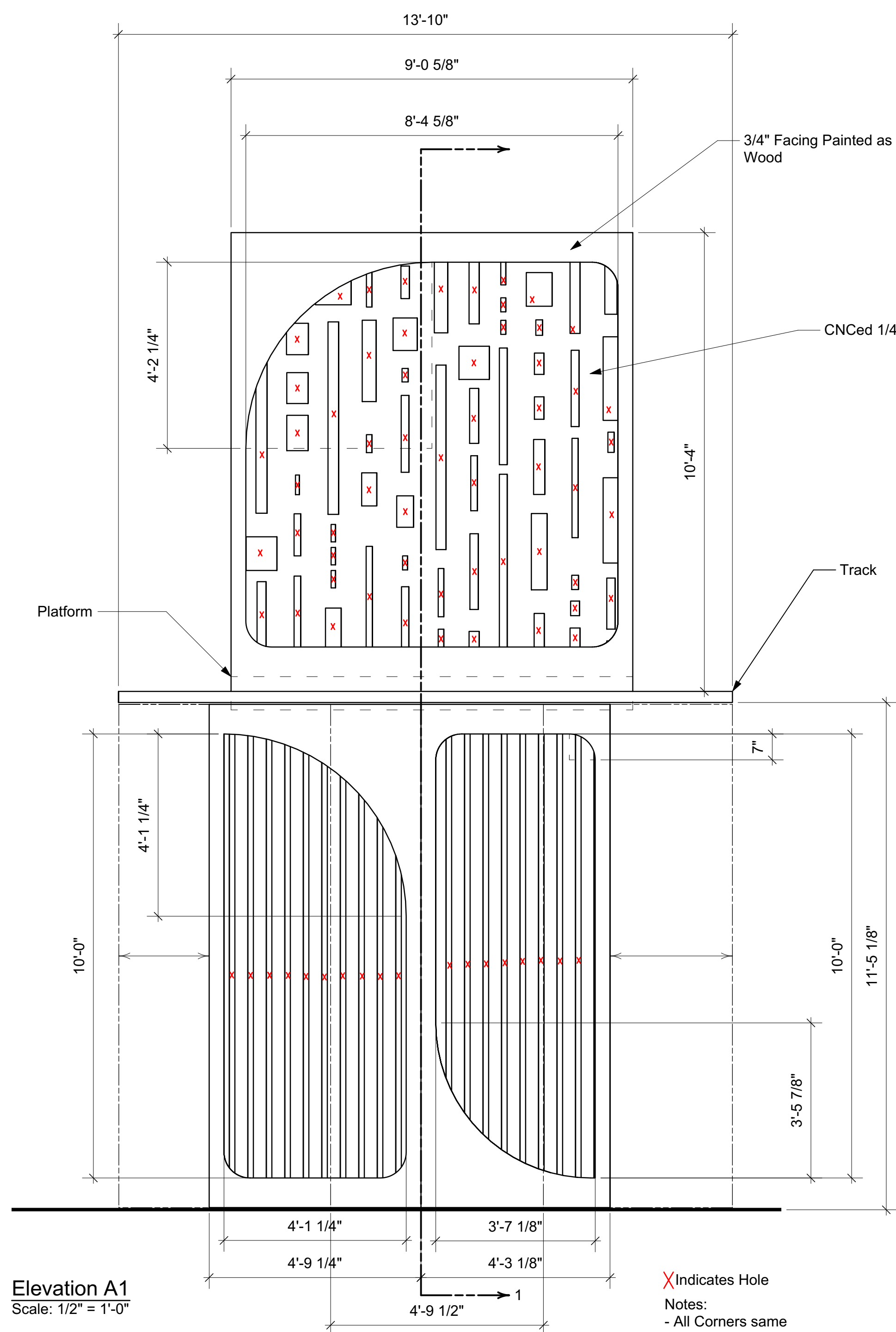
NOTES:

Project: **Beautiful**
 Producer: Aurora Theatre
 Purpose: **Front Elevation**

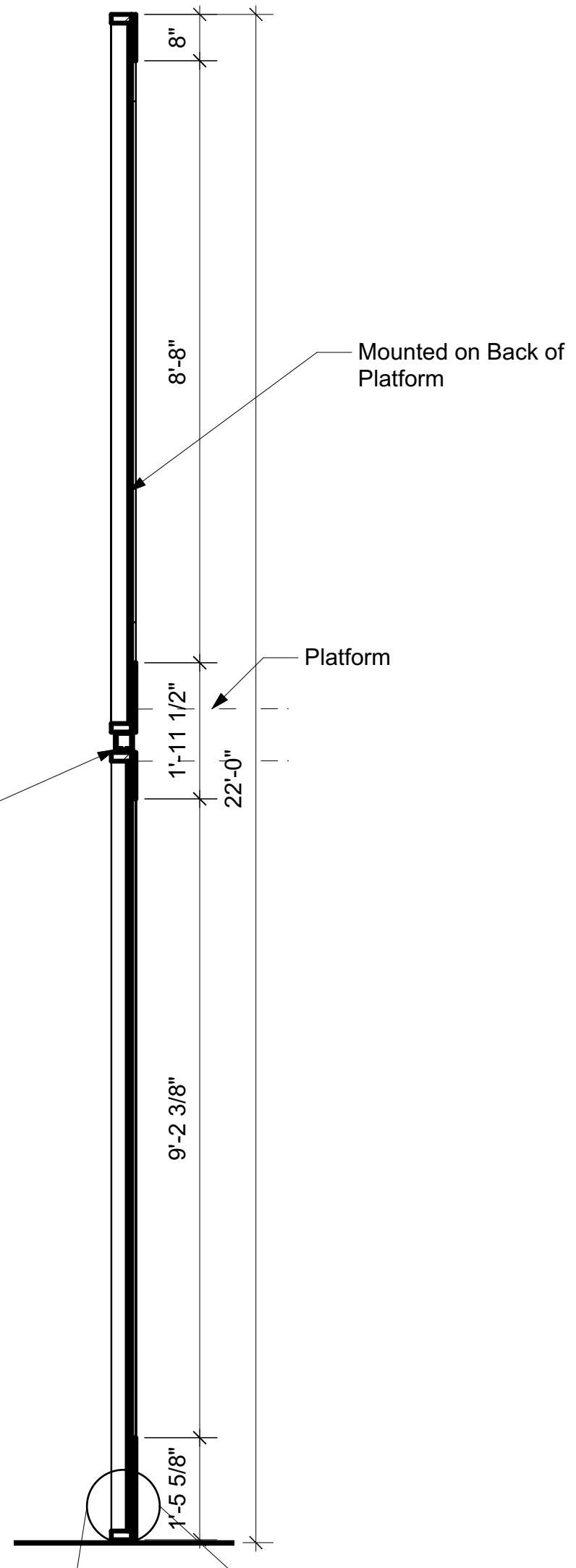
Date: 6/8/2023

Scale: 1/2" = 1'-0"

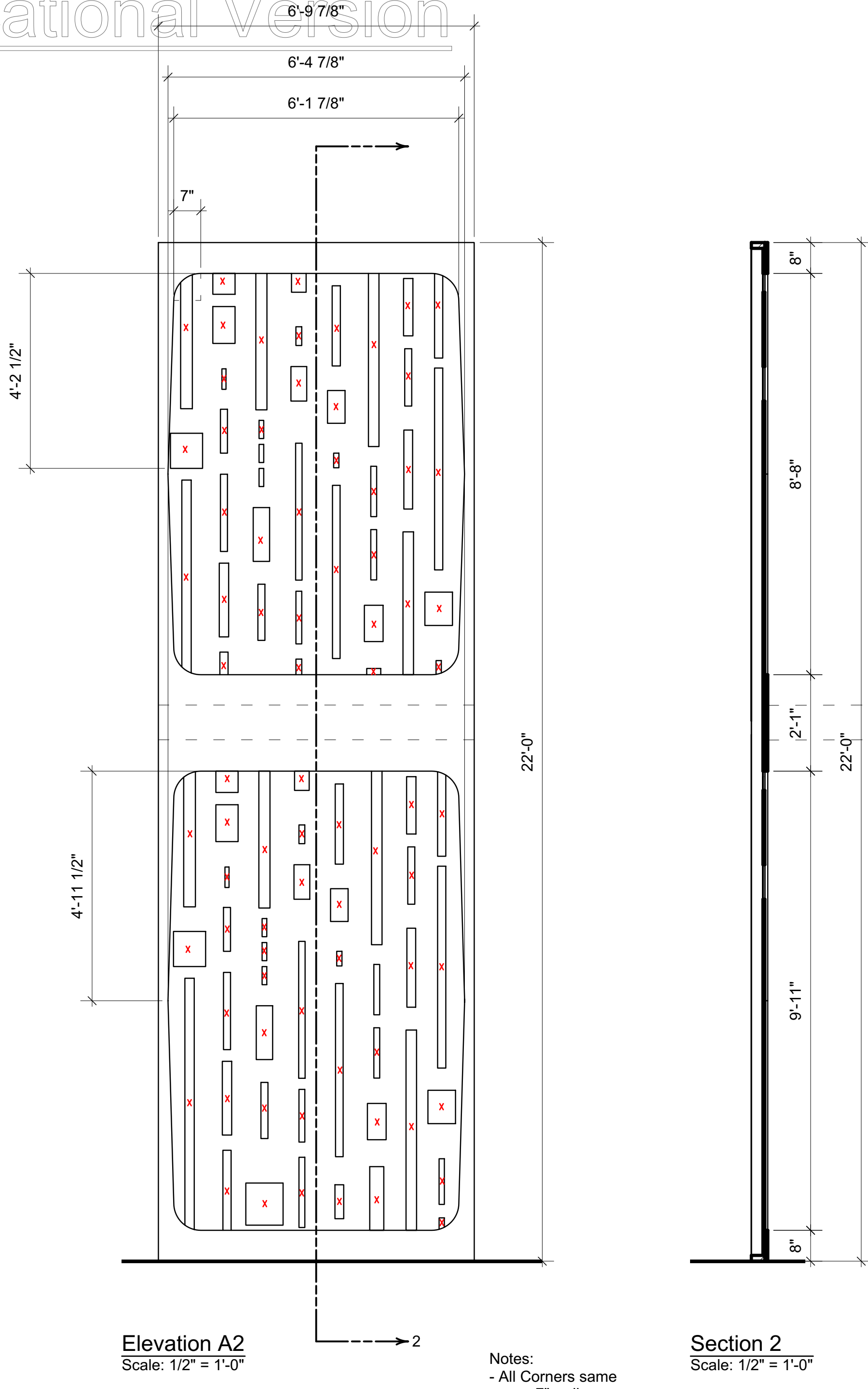
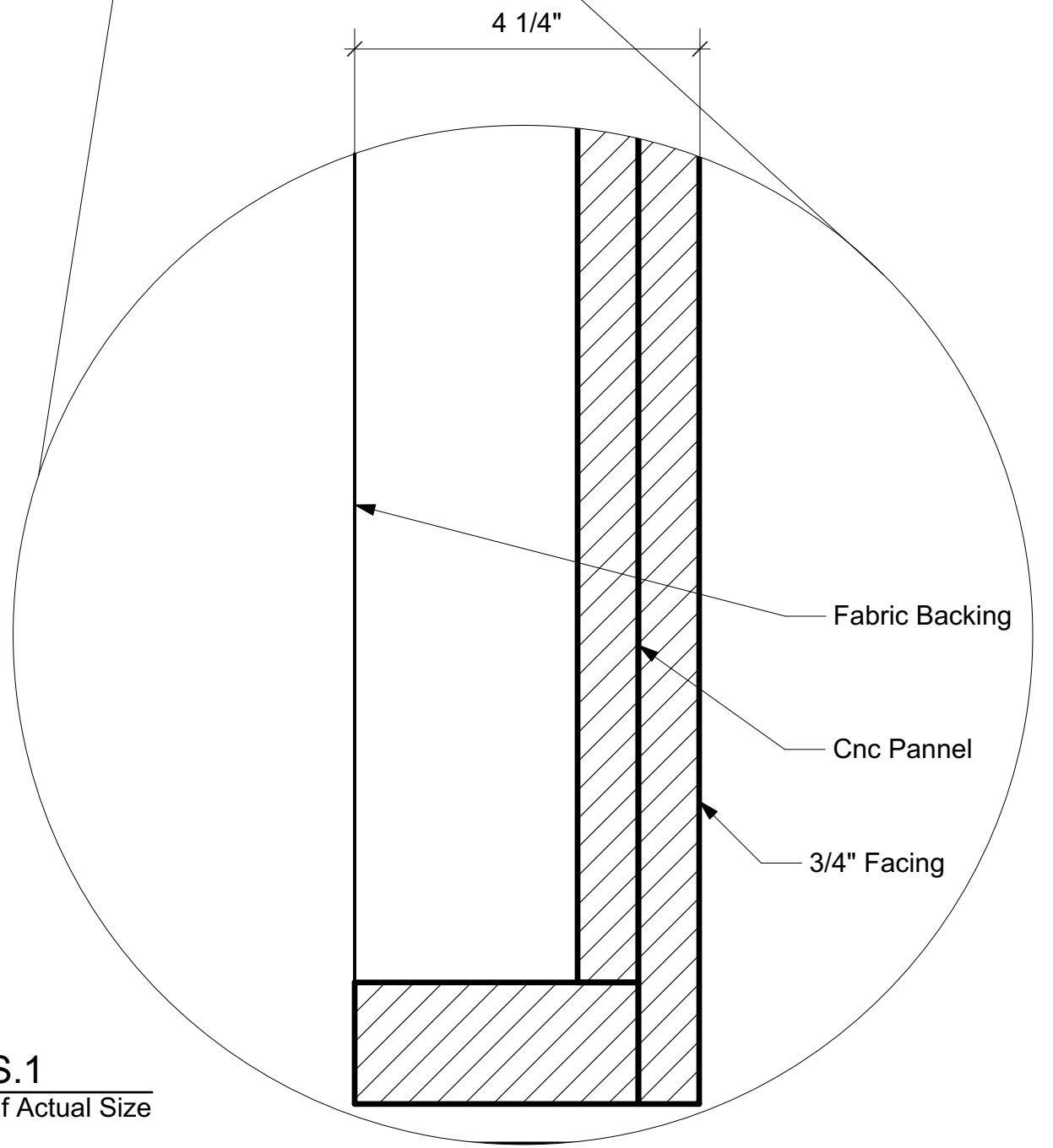
Sheet:
4
 OF
27



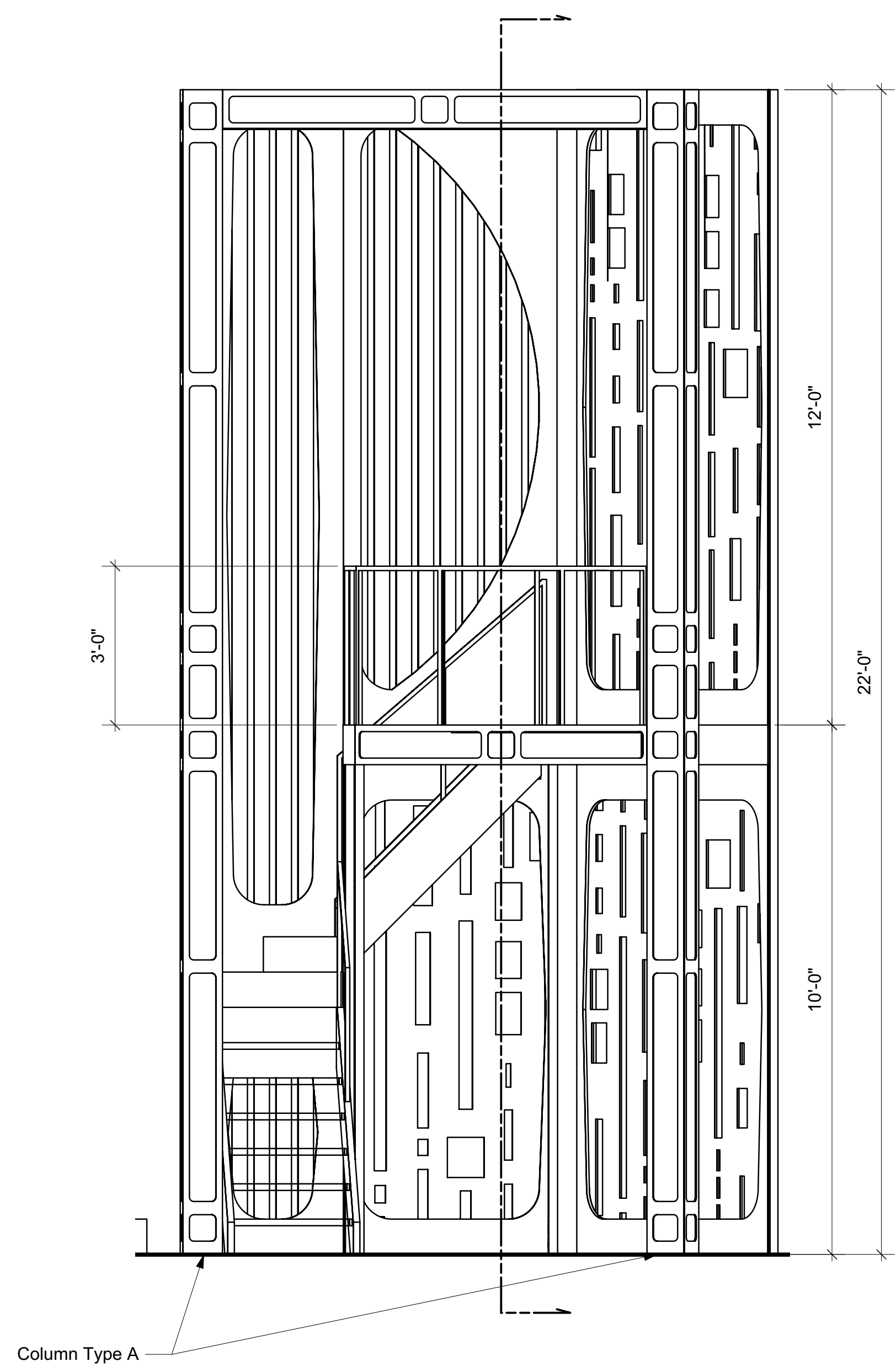
Section 1
Scale: 1/2" = 1'-0"



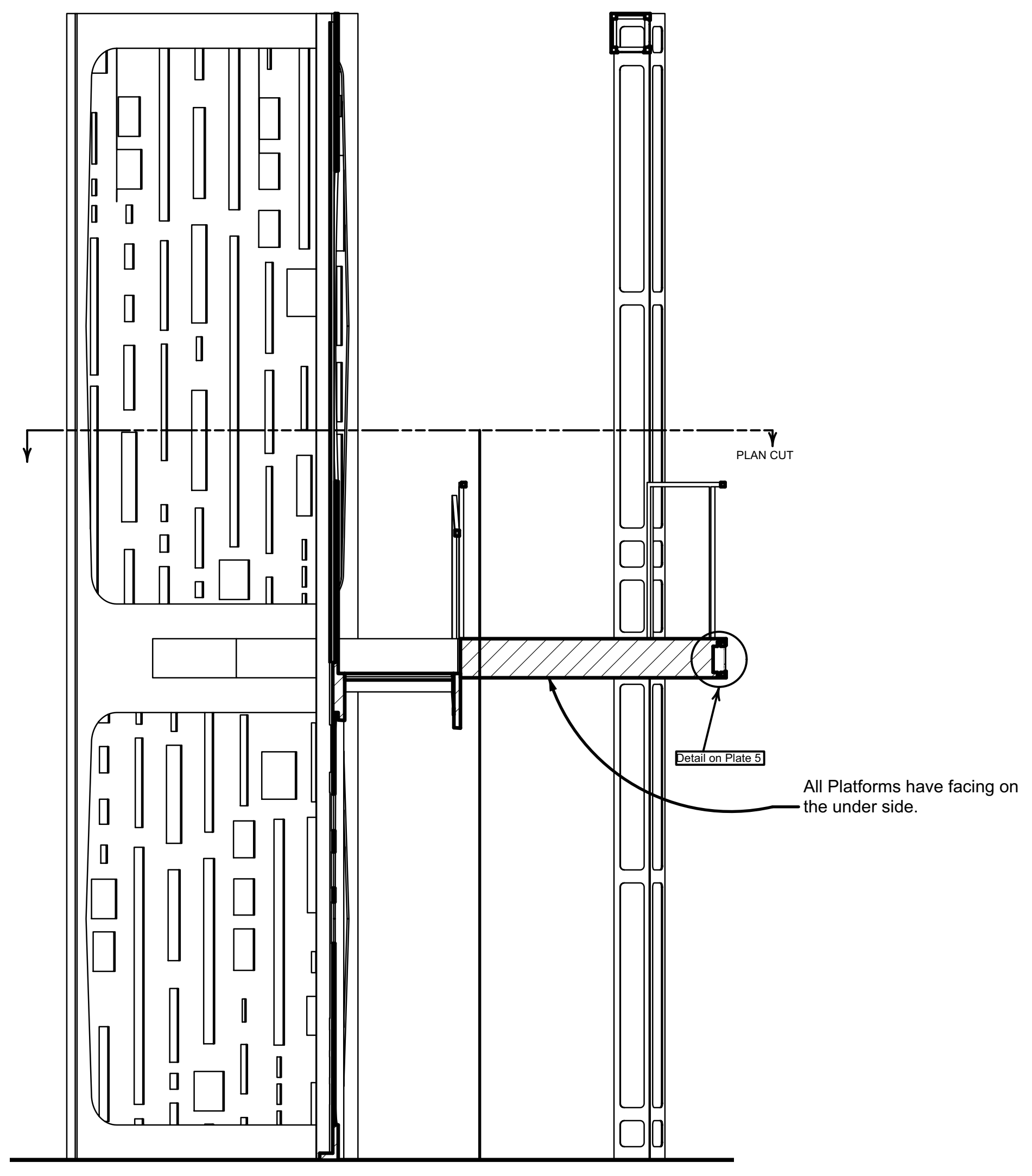
Detail S.1
Scale: Half Actual Size



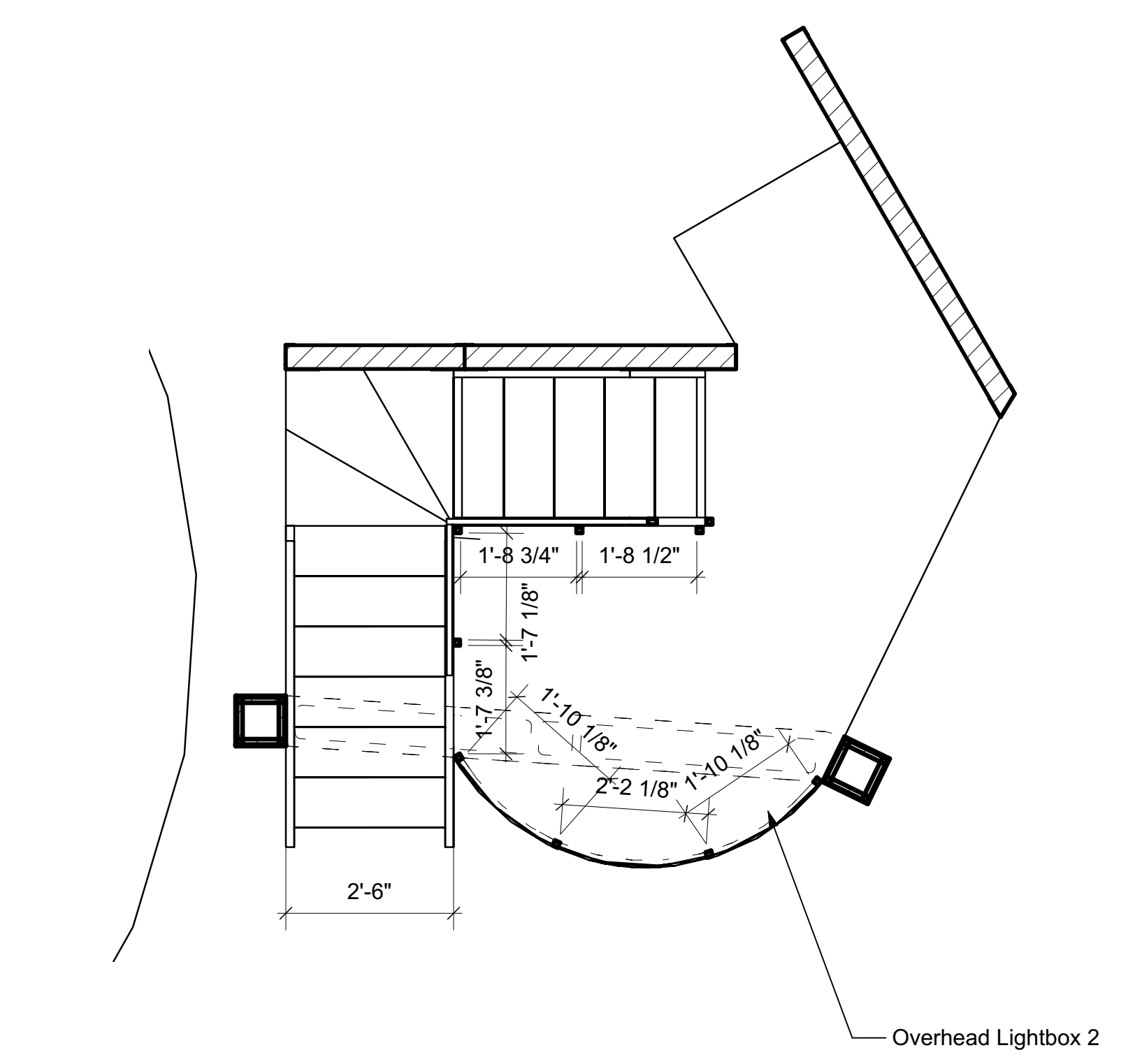
		S.D. 7290 SCENIC DESIGNER 	
Designer/Contact Information: Julie Ray jaray@uuga.edu (412) 215-7697		Drawn By: JMS Revision Date:	
NOTES: Reverse and Repeat for Platform G			
Project: Beautiful		Producer: Aurora Theatre	
Date: 6/21/2023		Purpose: Platform A-2	
Scale: N/A		Sheet: 6 OF 27	



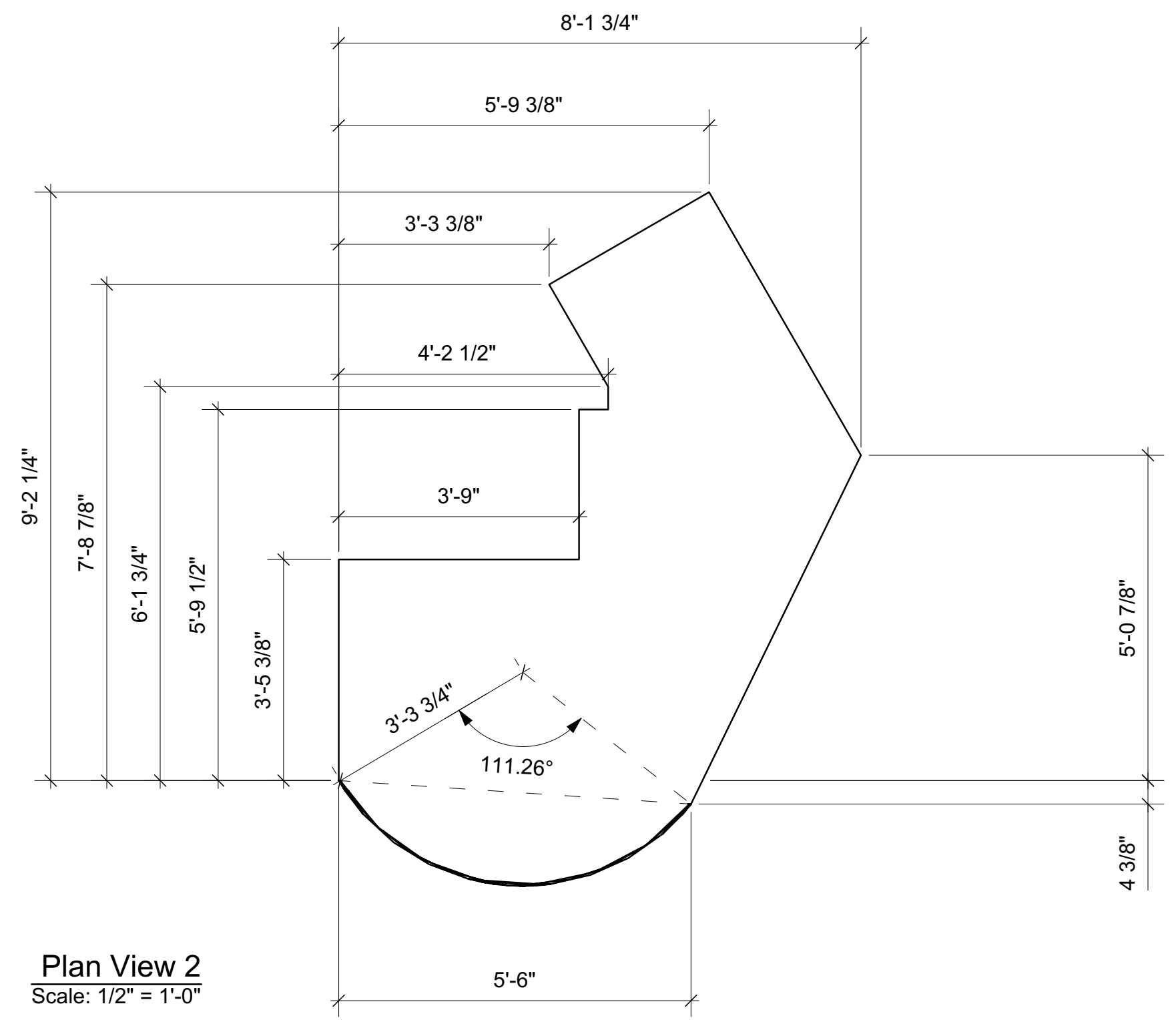
Elevation B
Scale: 1/2" = 1'-0"



Section B.1
Scale: 1/2" = 1'-0"

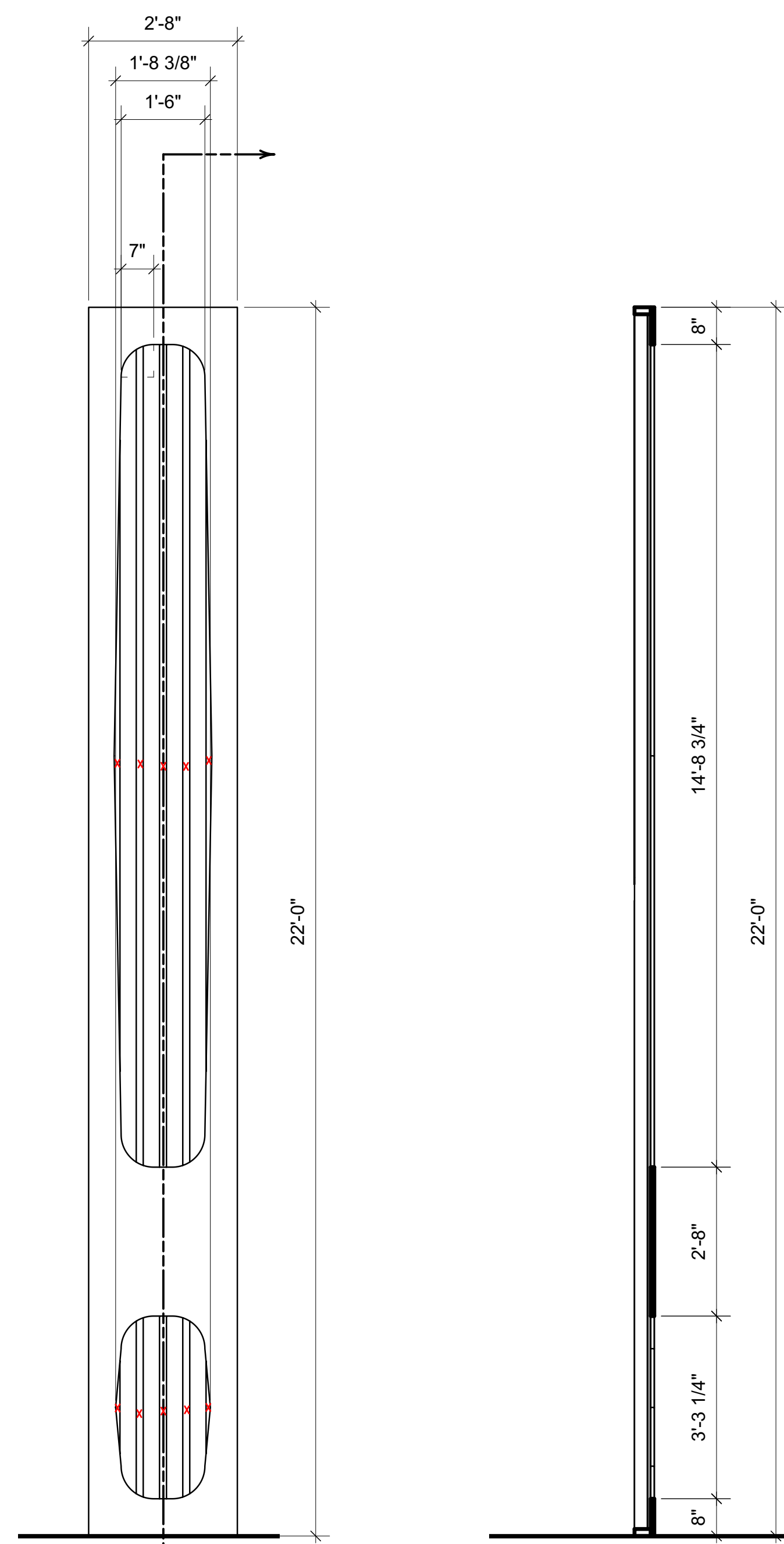


Plan View 1
Scale: 1/2" = 1'-0"



Plan View 2
Scale: 1/2" = 1'-0"

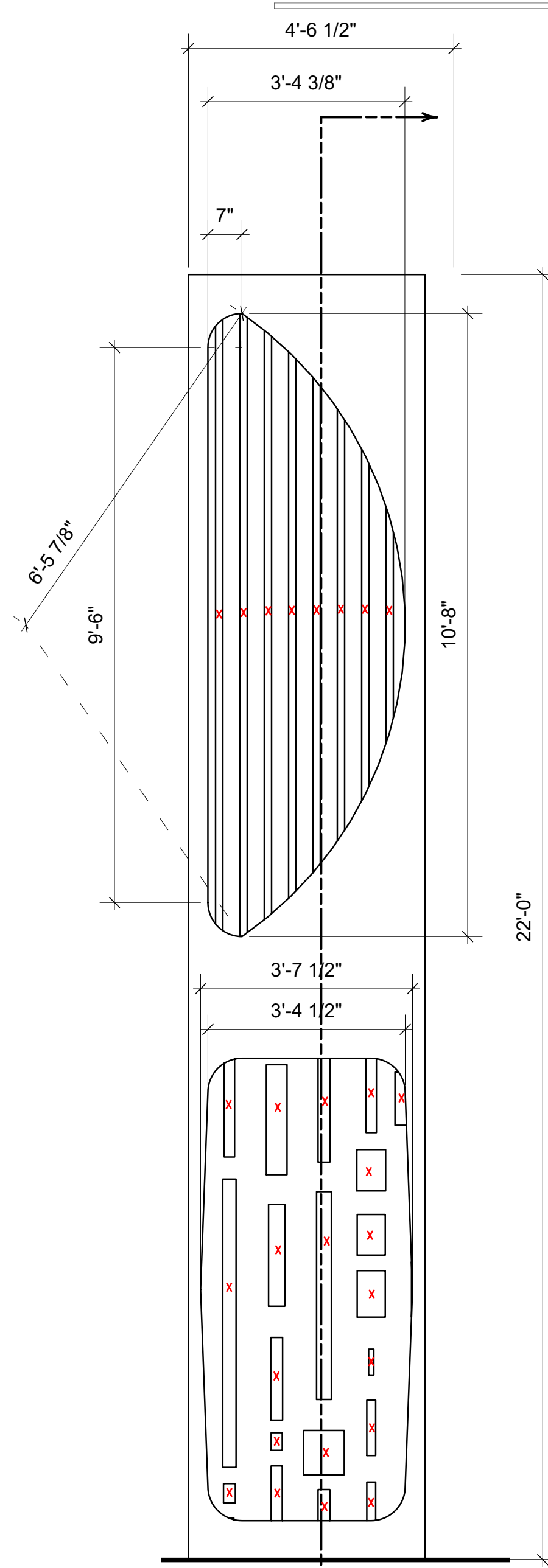
Designer/Contact Information:	Julie Ray jaray@uga.edu (412) 215-7697
Drawn By:	JMS
Revision Date:	
NOTES:	<p>Reverse and Repeat for Platform F</p>
Project:	Beautiful
Producer:	Aurora Theatre
Purpose:	Platform B-1
Date:	6/21/2023
Scale:	N/A
Sheet:	7 OF 27



Elevation B1
Scale: 1/2" = 1'-0"

X Indicates Hole
Notes:
- All Corners same
7" radius
- Backing pannel made of
1x4 spaced 1.5" apart

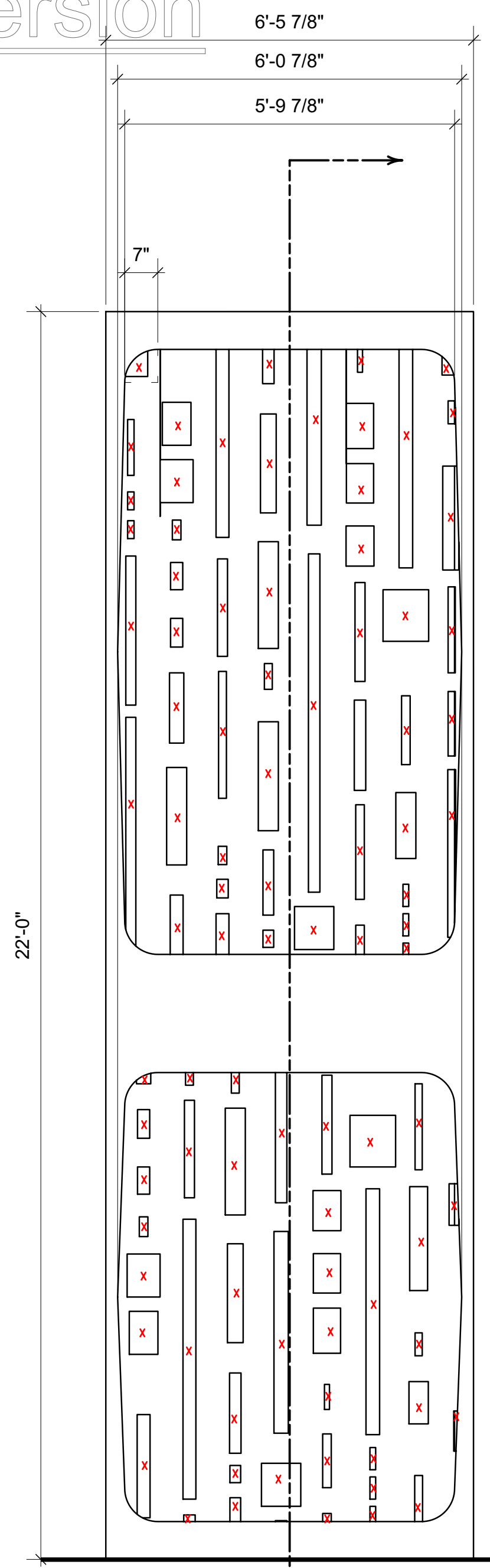
Section 1
Scale: 1/2" = 1'-0"



Elevation B2
Scale: 1/2" = 1'-0"

X Indicates Hole
Notes:
- All Corners same
7" radius
- Backing pannel made of
1x4 spaced 1.5" apart

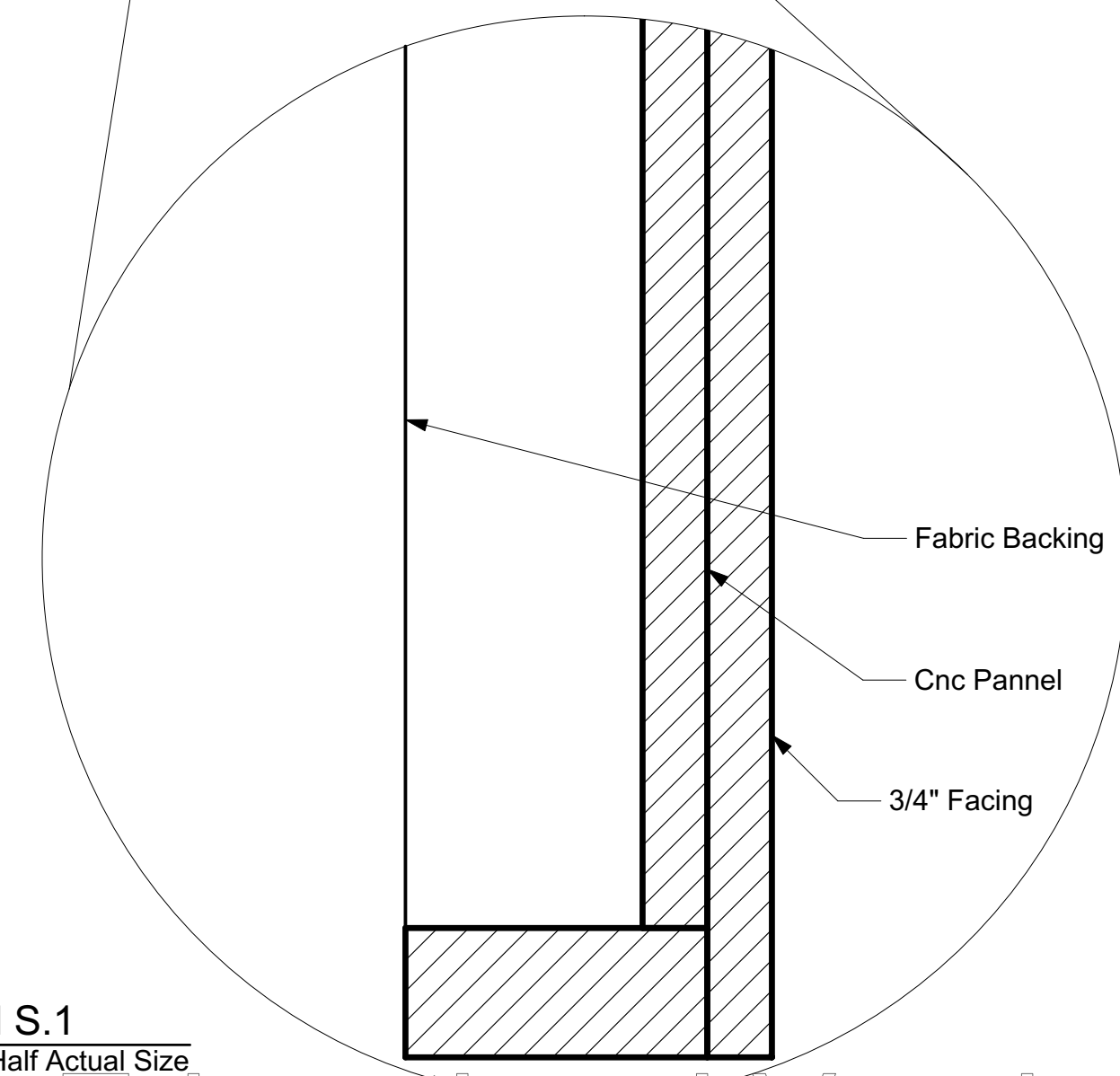
Section 2
Scale: 1/2" = 1'-0"



Elevation B3
Scale: 1/2" = 1'-0"

X Indicates Hole
Notes:
- All Corners same
7" radius

Section 3
Scale: 1/2" = 1'-0"



Detail S.1
Scale: Half Actual Size

S.D. 7290
SCENIC DESIGNER

Designer/Contact Information:
Julie Ray
jaray@uga.edu
(412) 215-7697

Drawn By: JMS
Revision Date:

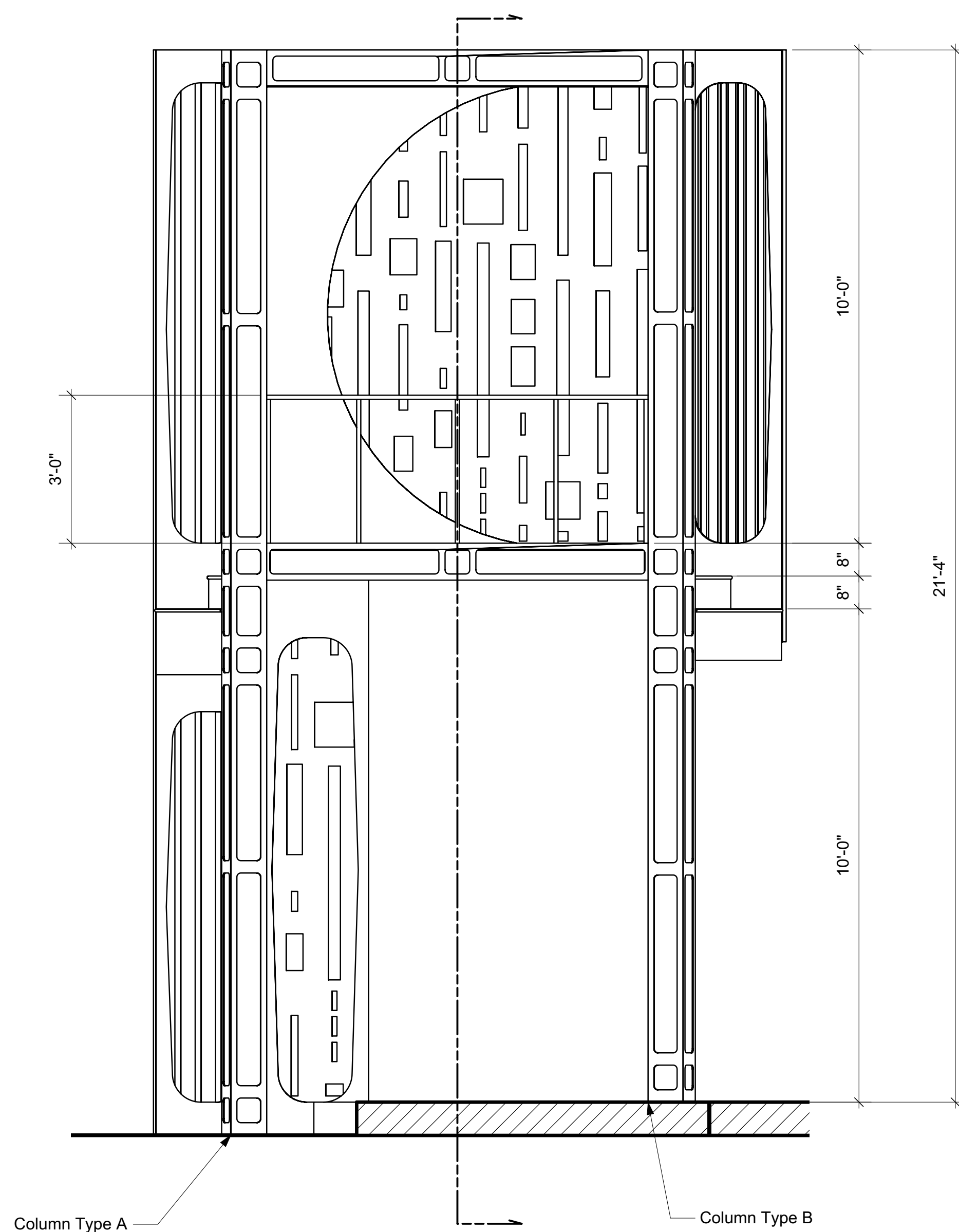
Reverse and Repeat for Platform F

Project: **Beautiful**
Producer: Aurora Theatre
Purpose: Platform B-2

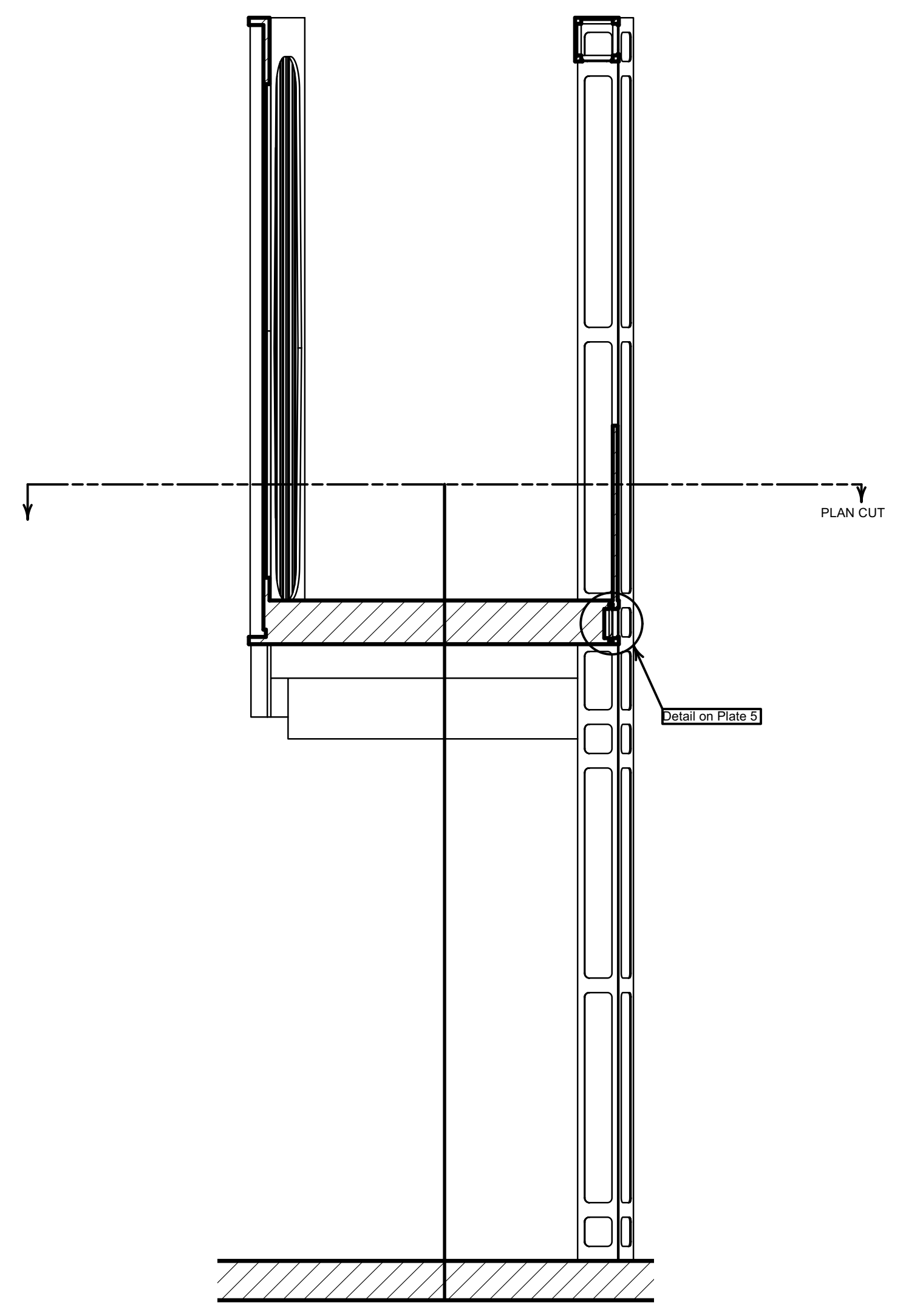
Date: 6/21/2023

Scale: N/A

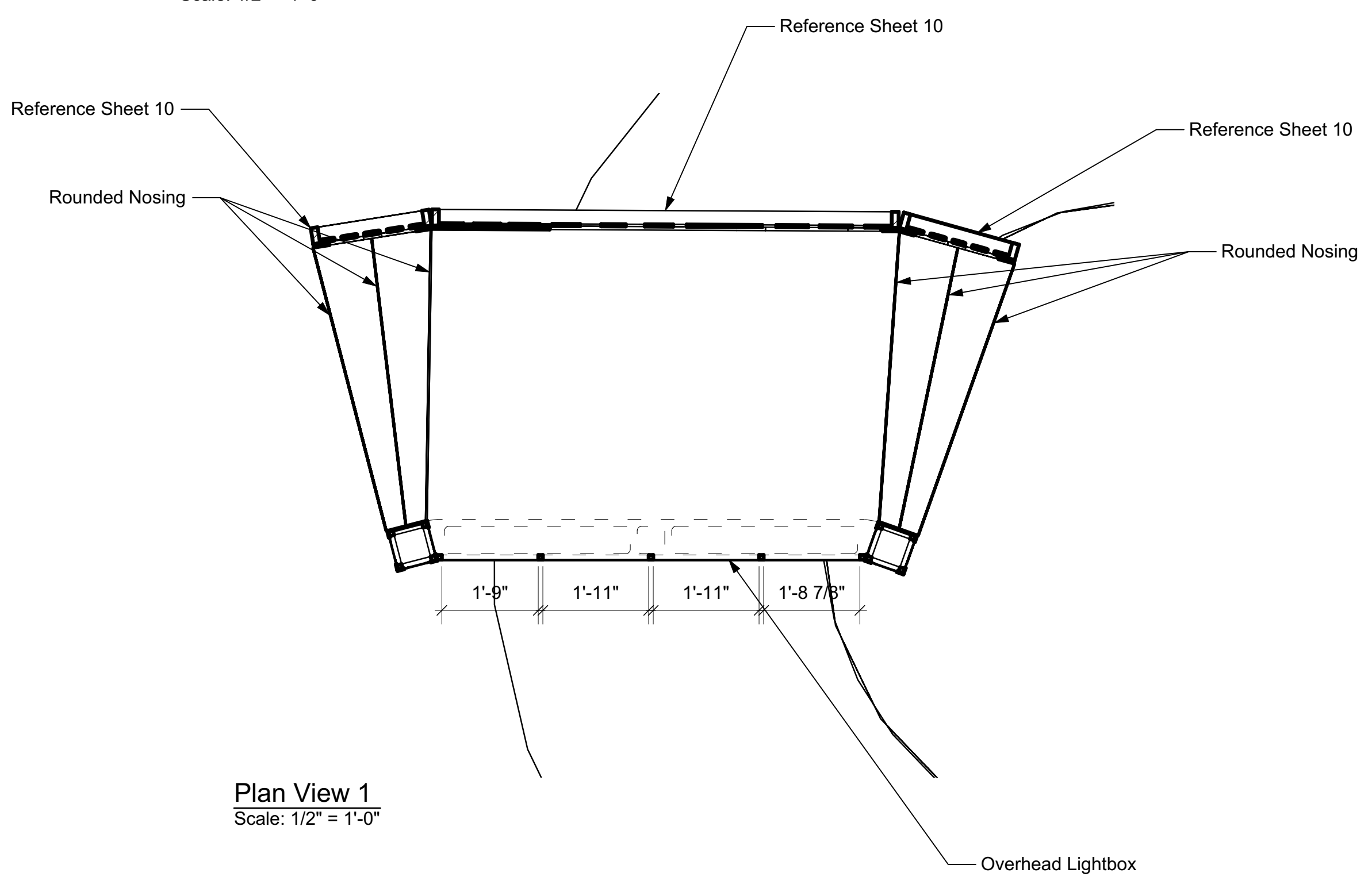
Sheet: **8** OF **27**



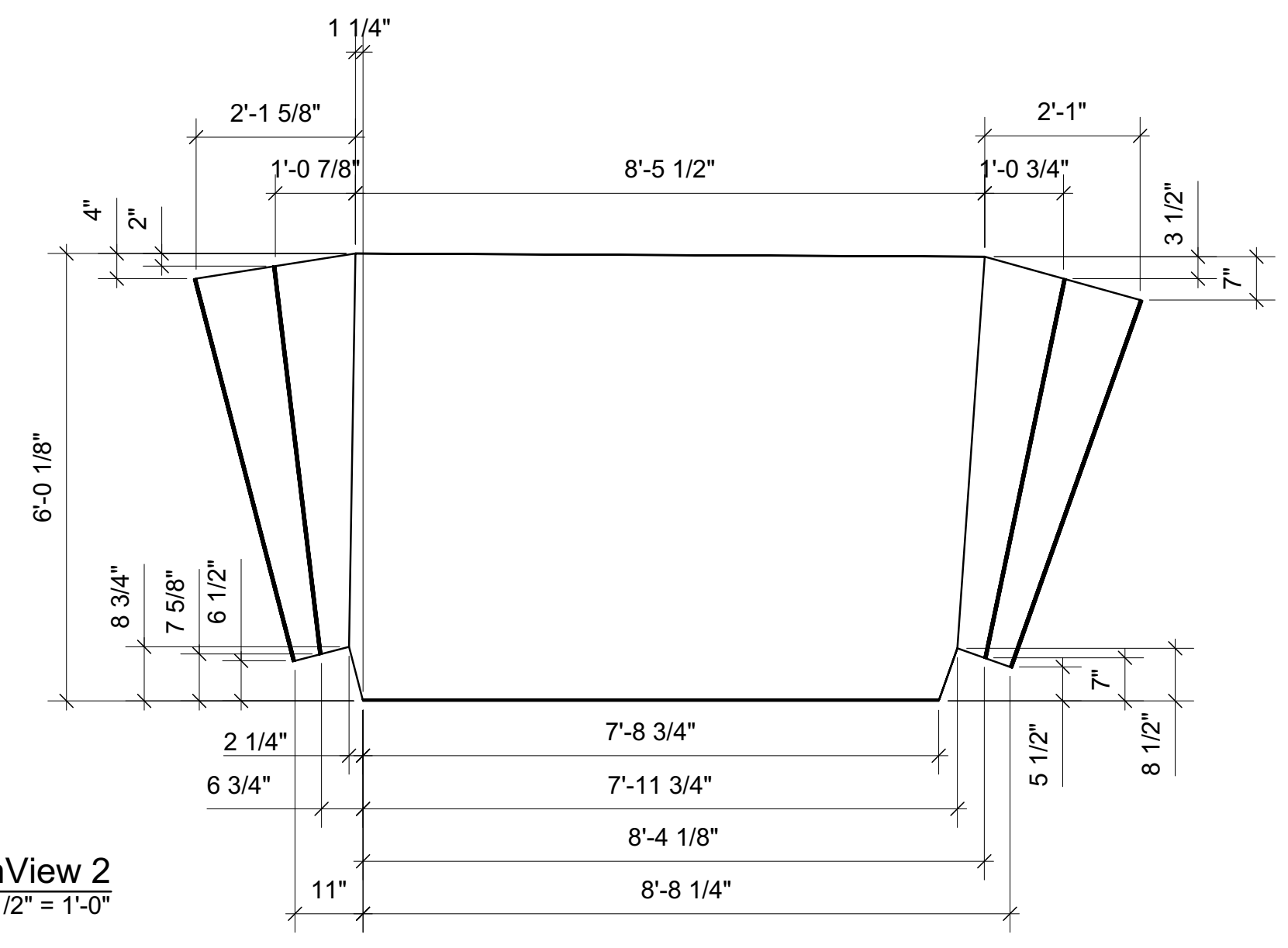
Elevation C
Scale: 1/2" = 1'-0"



Section C.1
Scale: 1/2" = 1'-0"



Plan View 1
Scale: 1/2" = 1'-0"



Plan View 2
Scale: 1/2" = 1'-0"

Designer/Contact Information:		S.D. 7290 SCENIC DESIGNER <i>Julie Ray</i>	JMS
	Julie Ray jaray@uga.edu (412) 215-7697		

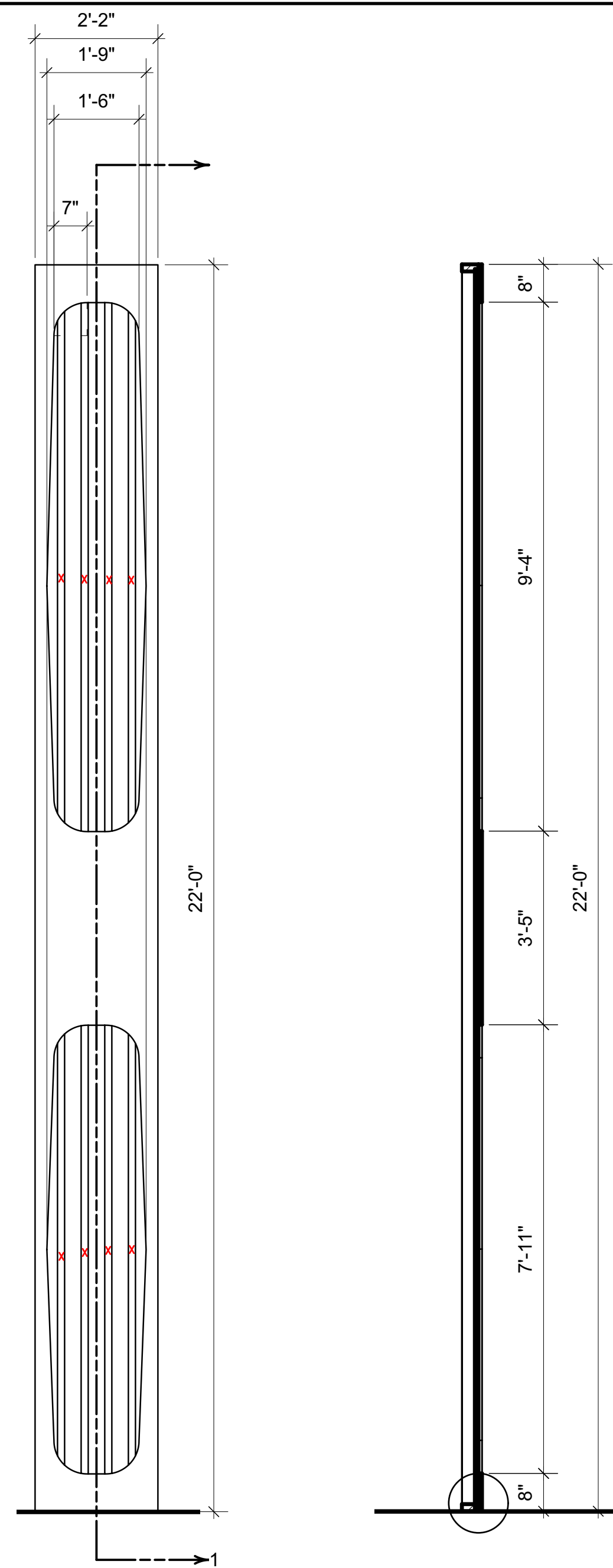
NOTES:
Reverse and Repeat for Platform E

Project:	Beautiful	Producer:	Aurora Theatre
		Purpose:	Platform C-1

Date: 6/21/2023

Scale: N/A

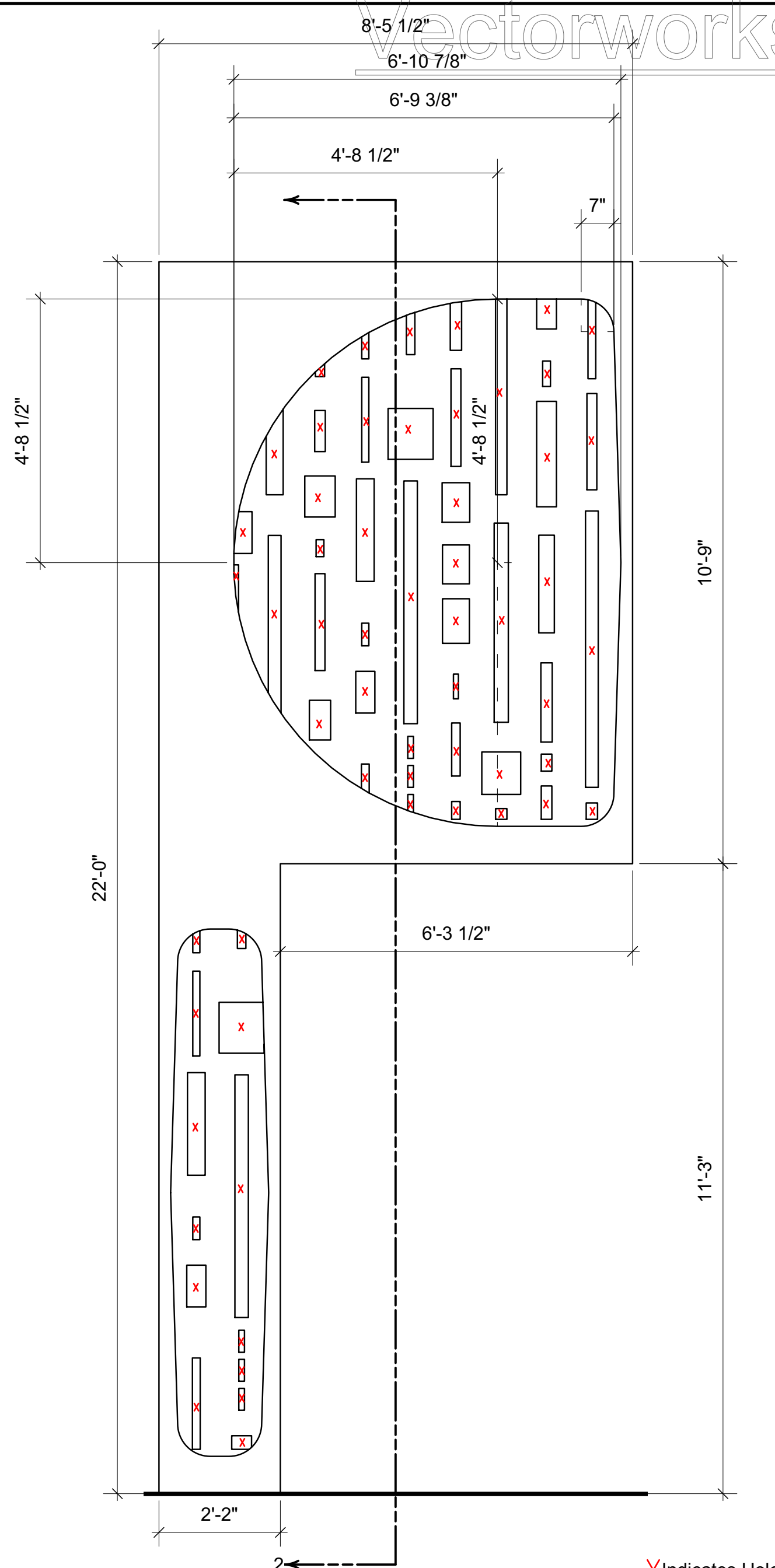
Sheet: **9** OF **27**



Elevation C1
Scale: 1/2" = 1'-0"

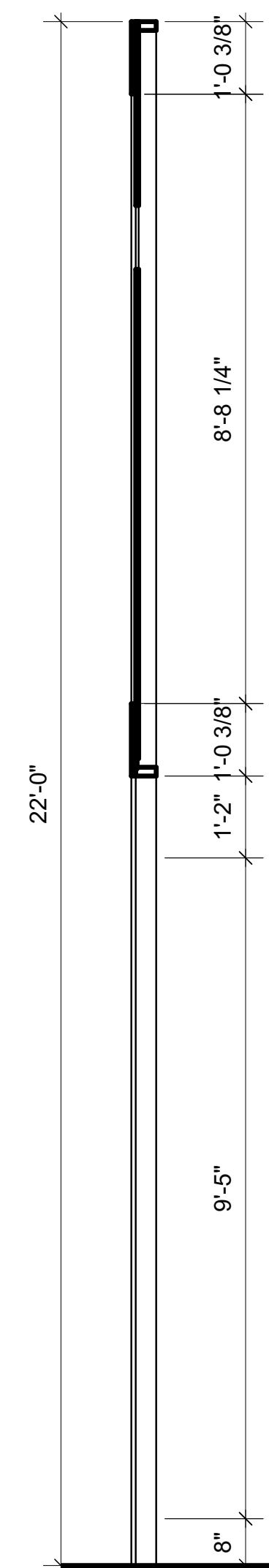
Section 4
Scale: 1/2" = 1'-0"

- X Indicates Hole
- Notes:
 - All Corners same 7" radius
 - Backing pannel made of 1x4 spaced 1.5" apart

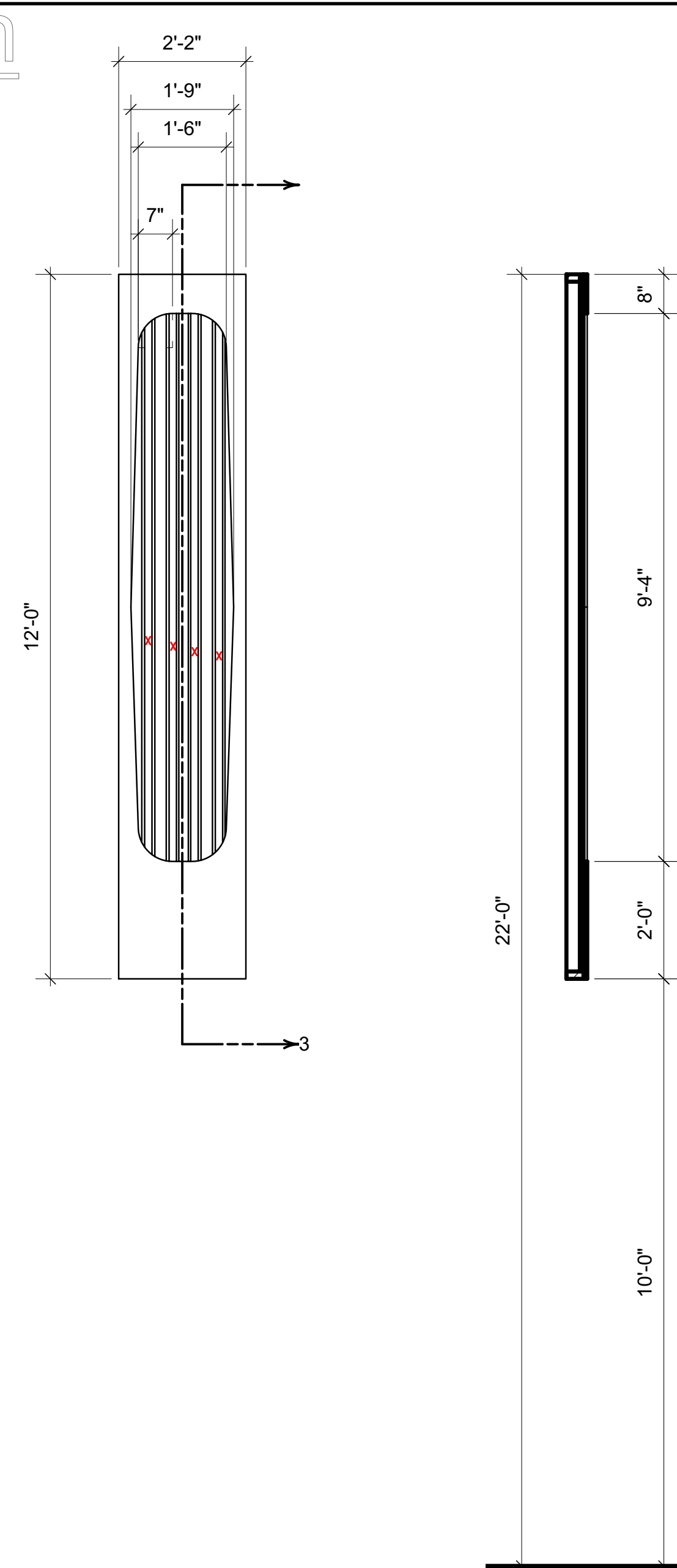


Elevation C2
Scale: 1/2" = 1'-0"

- X Indicates Hole
- Notes:
 - All Corners same 7" radius



Section 5
Scale: 1/2" = 1'-0"



Elevation C3
Scale: 1/2" = 1'-0"

- X Indicates Hole
- Notes:
 - All Corners same 7" radius
 - Backing pannel made of 1x4 spaced 1.5" apart

Section 6
Scale: 1/2" = 1'-0"

NOTES:

Reverse and Repeat for Platform E

Beautiful

Project:

Date:

6/21/2023

Scale:

N/A

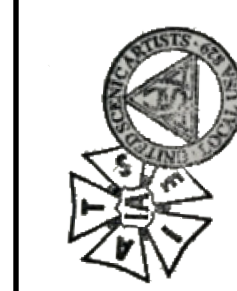
Sheet:

10
OF
27

Designer/Contact Information:

Julie Ray

jaray@uga.edu
(412) 215-7697



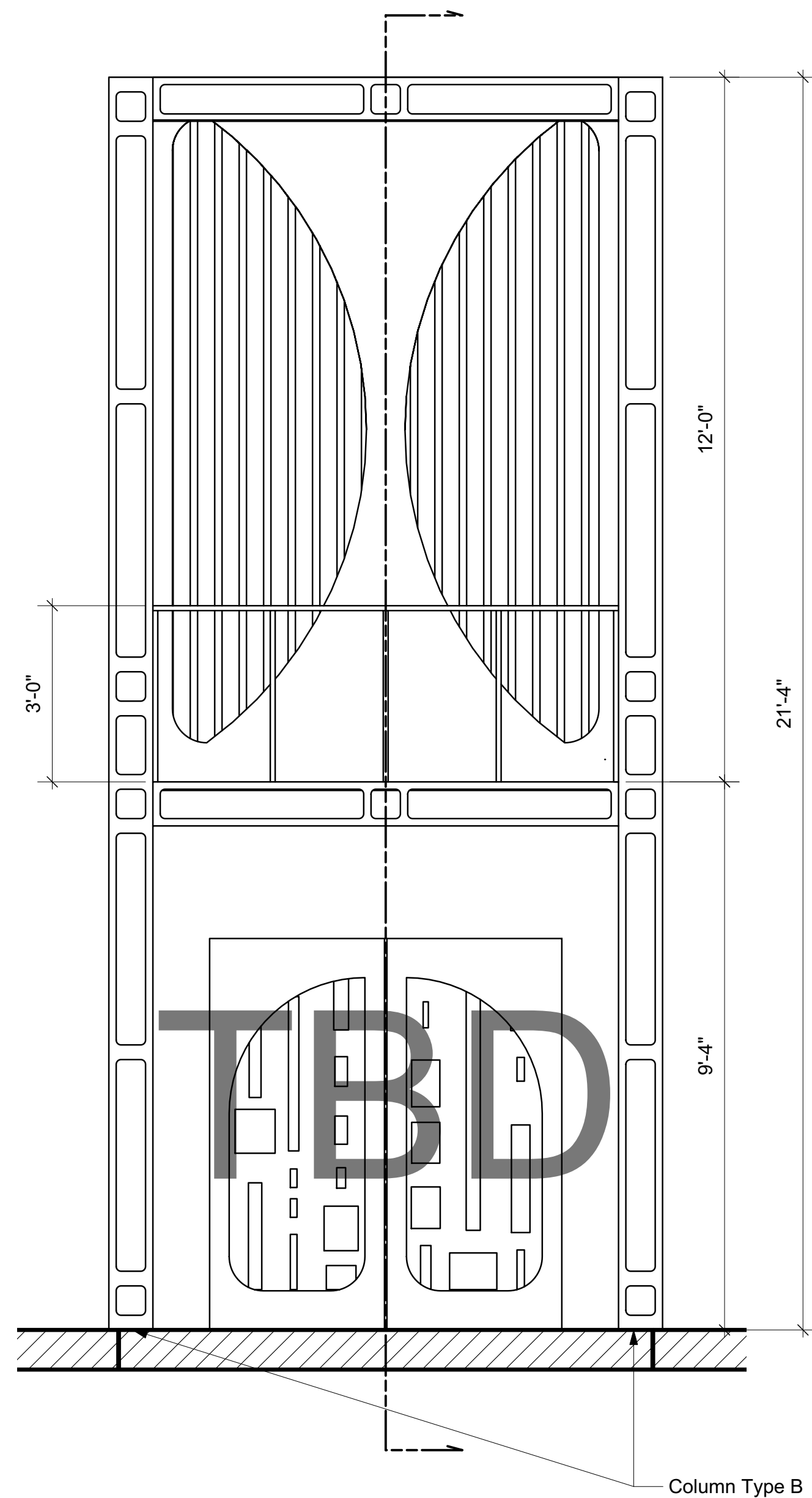
S.D. 7290
SCENIC DESIGNER

Signature

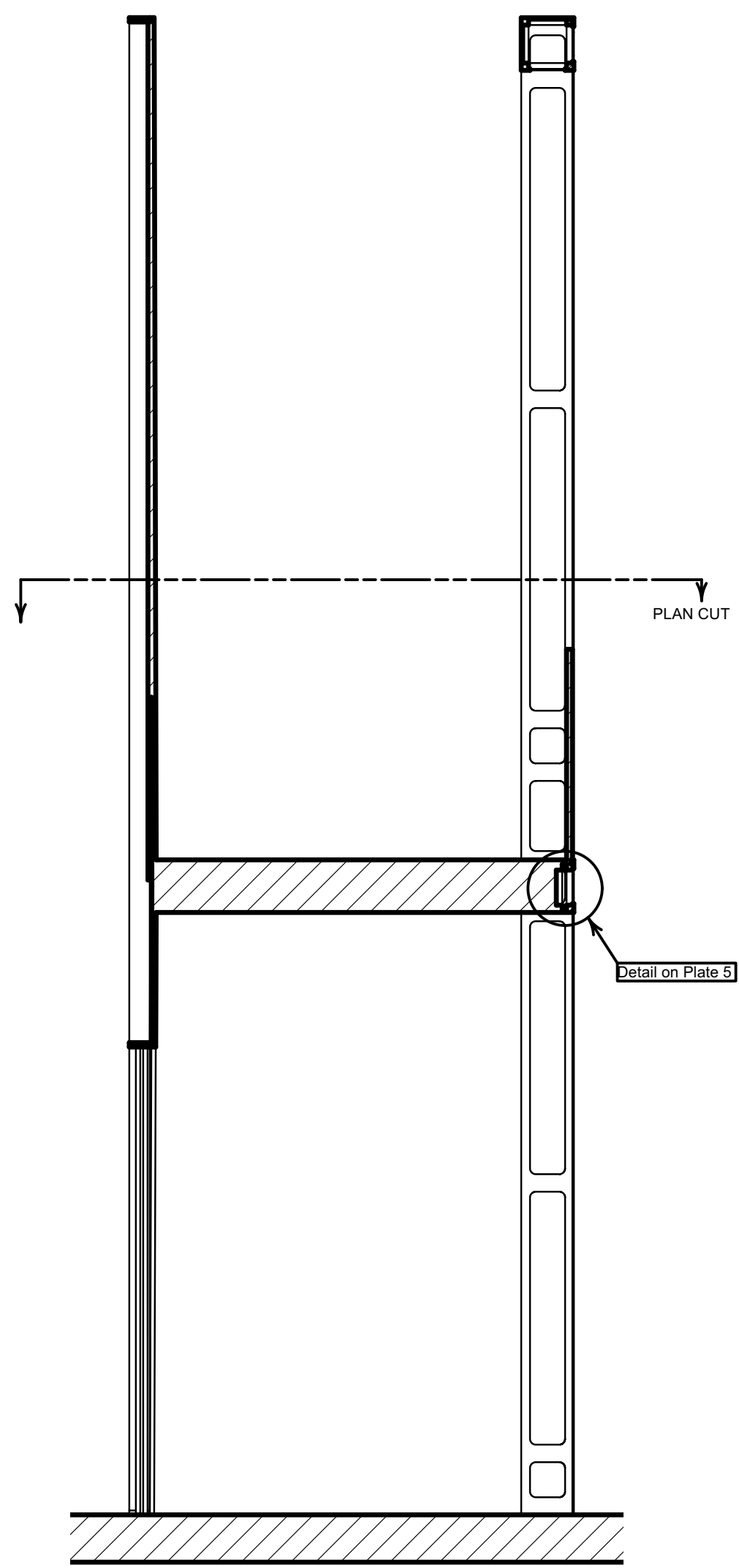
Drawn By:

JMS

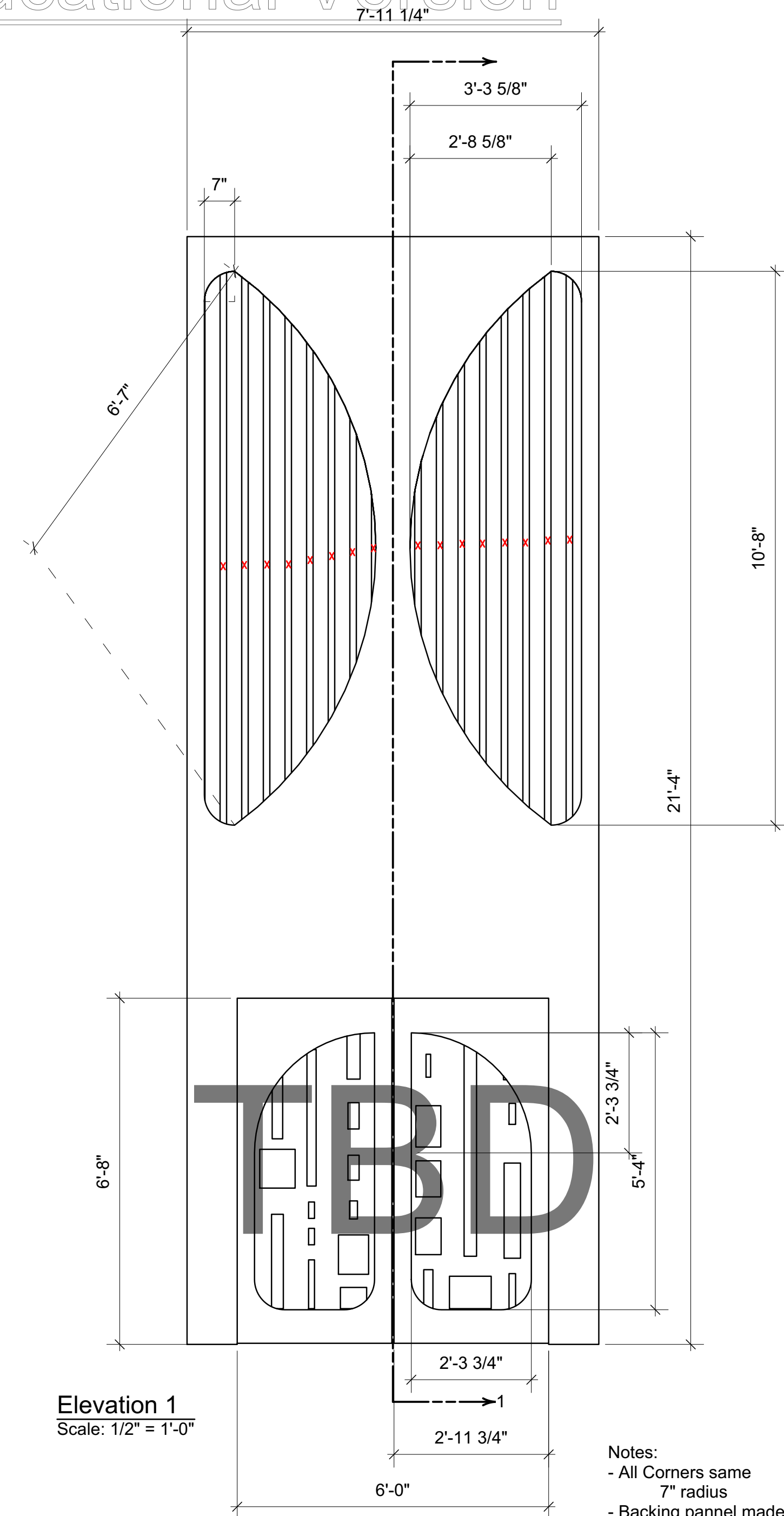
Revision Date:



Elevation D
Scale: 1/2" = 1'-0"



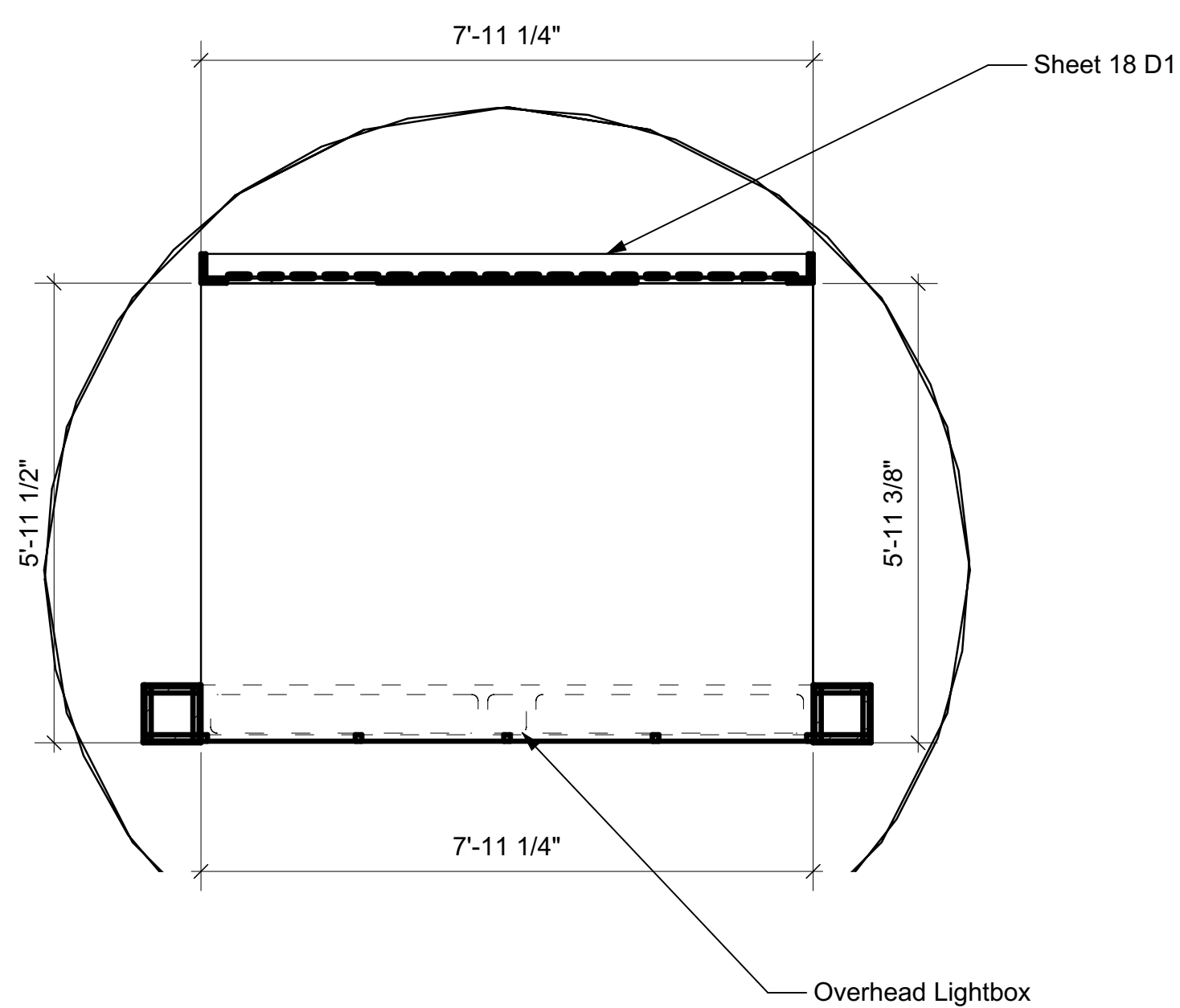
D.1 Section
Scale: 1/2" = 1'-0"



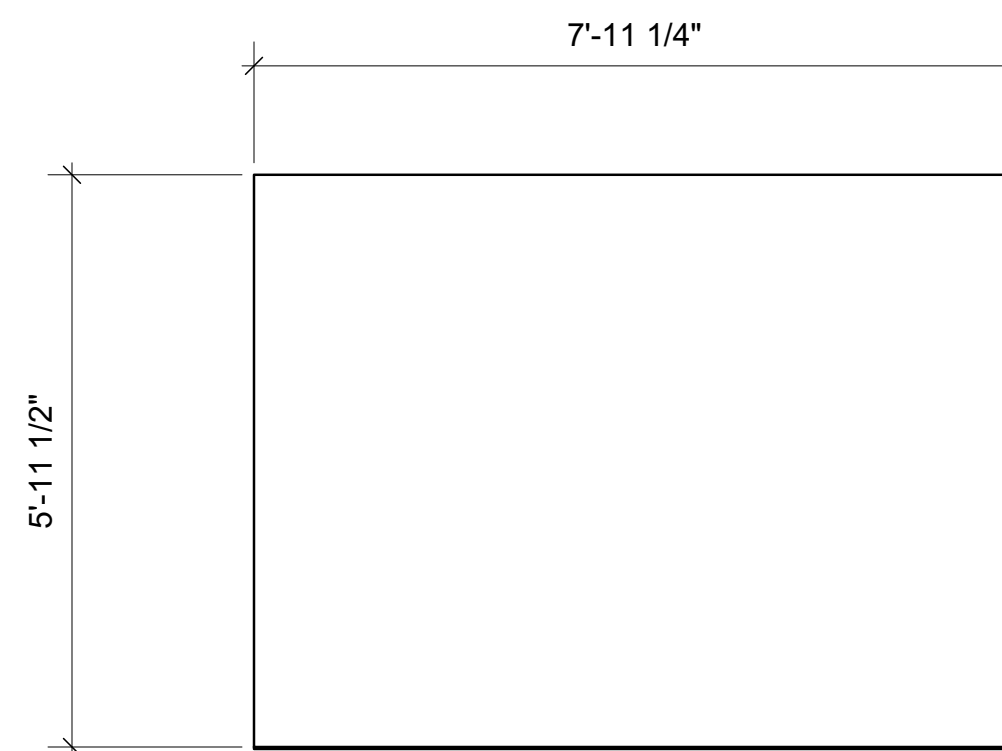
Elevation 1
Scale: 1/2" = 1'-0"

- Notes:
- All Corners same 7" radius
 - Backing pannel made of 1x4 spaced 1.5" apart

Section 3
Scale: 1/2" = 1'-0"

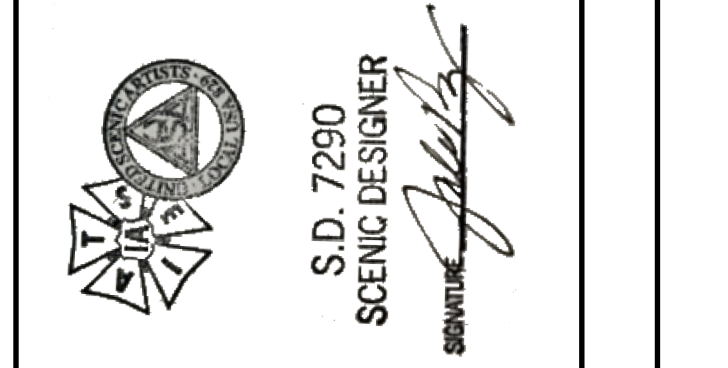


Overhead Lightbox



Platform 2
Scale: 1/2" = 1'-0"

Designer/Contact Information: Julie Ray jaray@uga.edu (412) 215-7697	S.D. 7290 SCENIC DESIGNER
NOTES:	
Project: <h1>Beautiful</h1>	Producer: Aurora Theatre Purpose: Platform D-1
Date: 6/21/2023	
Scale: N/A	
Sheet: <h1>11</h1> OF <h1>27</h1>	
Drawn By: JMS Revision Date:	



Designer/Contact Information:
 Julie Ray
 jaray@uga.edu
 (412) 215-7697

Drawn By: JMS
 Revision Date:

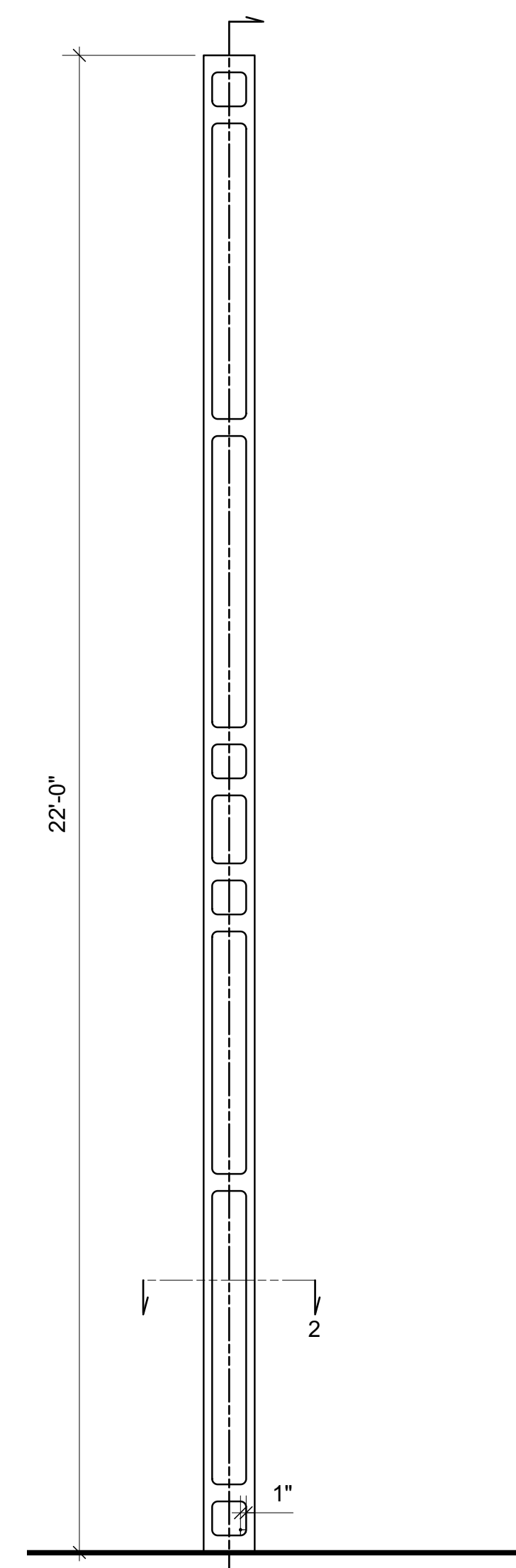
NOTES:

Project: **Beautiful**
 Producer: Aurora Theatre
 Purpose: Column Details A

Date: 6/10/2023

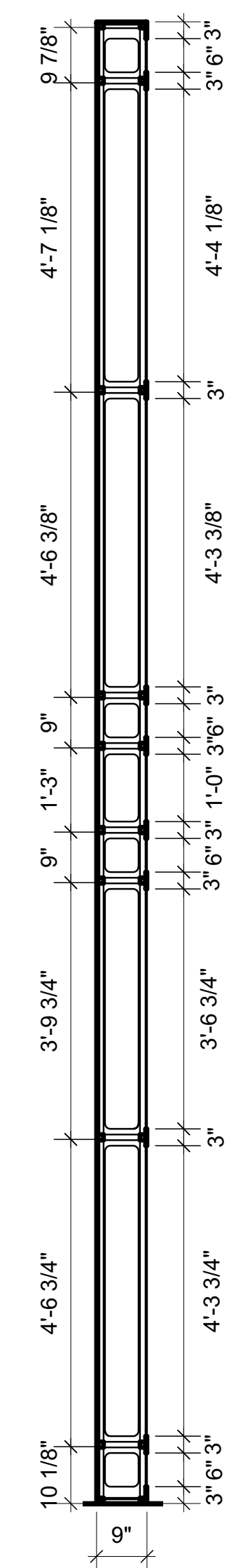
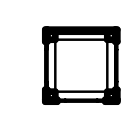
Scale: AS NOTED

Sheet: **12**
 OF
27

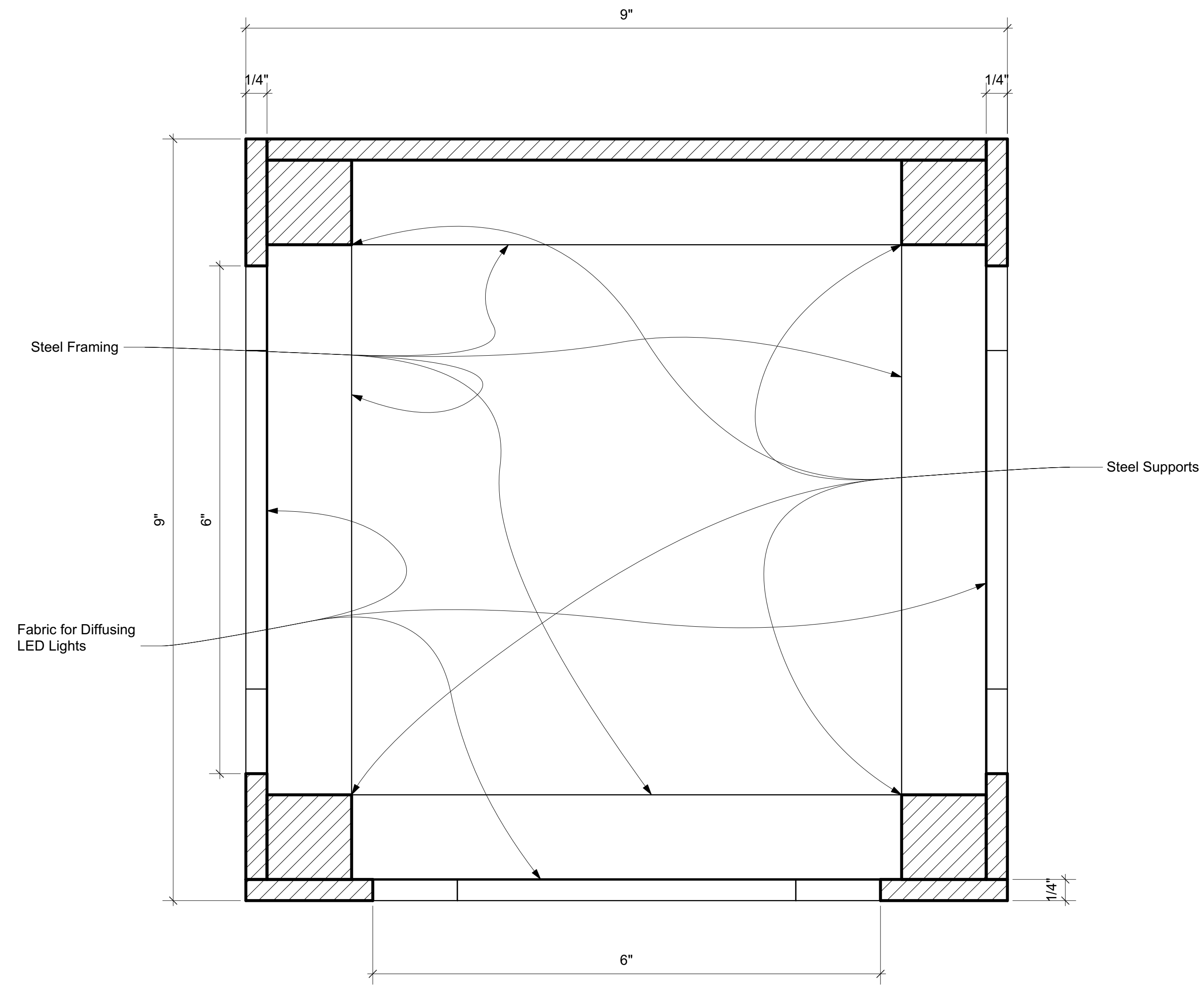


Column A
 Scale: 1/2" = 1'-0"

- Notes:
- There is a total of 6 A type columns.
 - All corner Radiuses are 1"

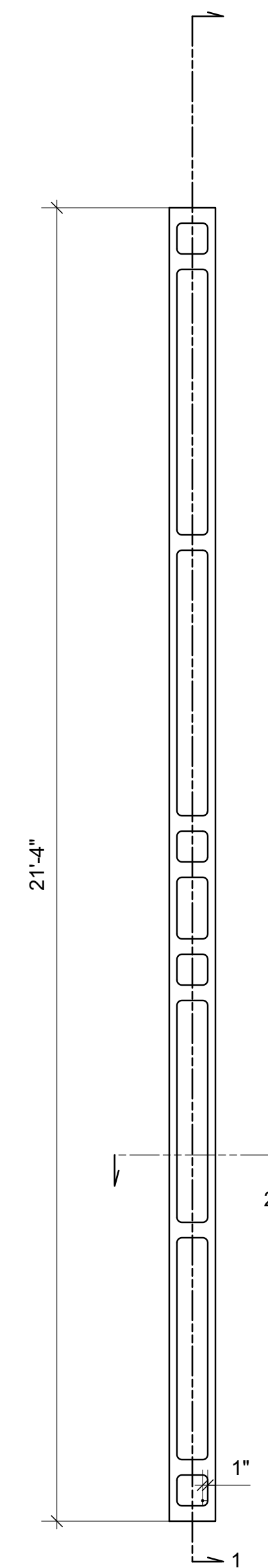


Section 1
 Scale: 1/2" = 1'-0"



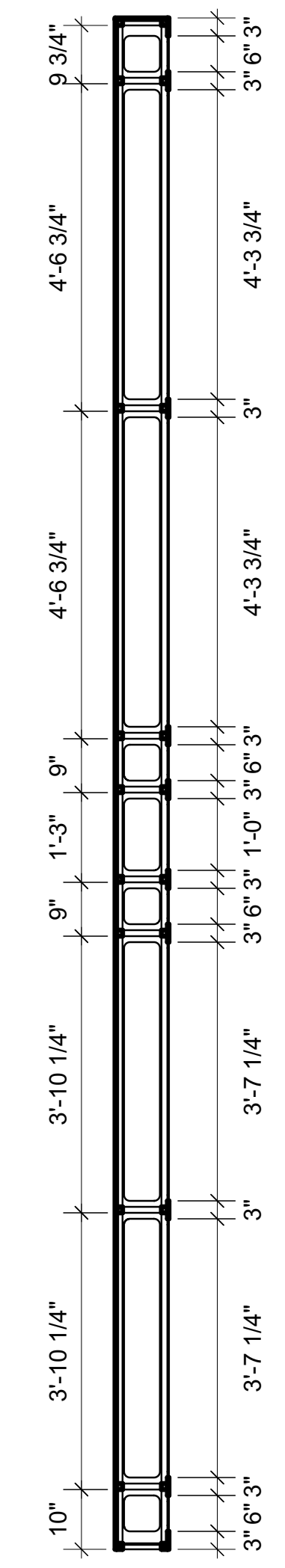
Section 2
 Scale: Actual Size

- Notes:
- All face panels should be MDF
 - Fabric type TBD
 - LED Placement TBD
 - All Steel is 1" box Steel
 - All light box internals should be painted white.

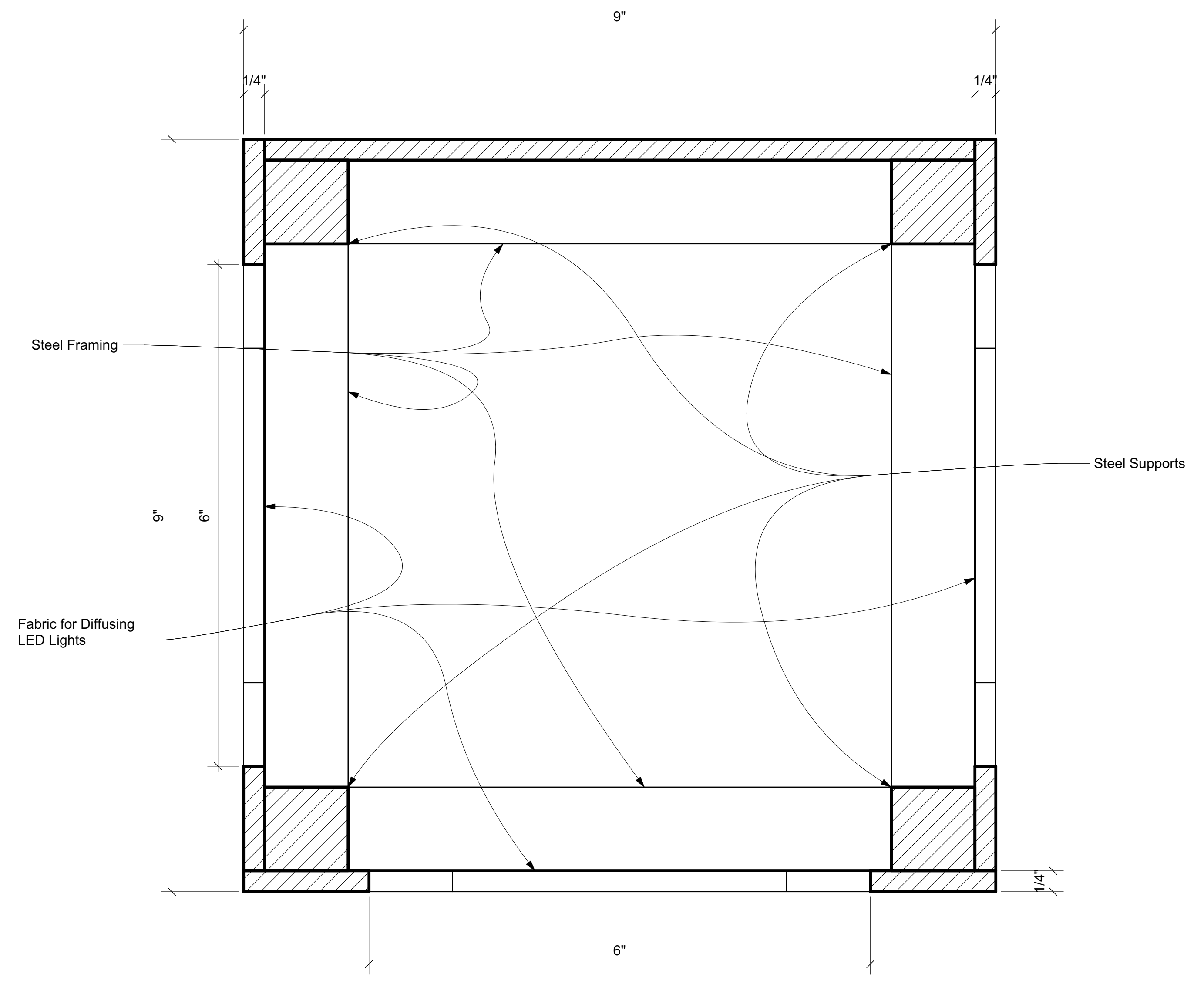


Column B
Scale: 1/2" = 1'-0"

- Notes:
- There is a total of 6 A type columns.
 - All corner Radiuses are 1"



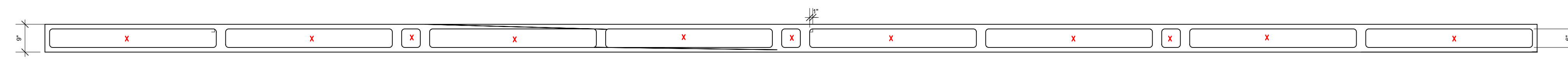
Section 1
Scale: 1/2" = 1'-0"



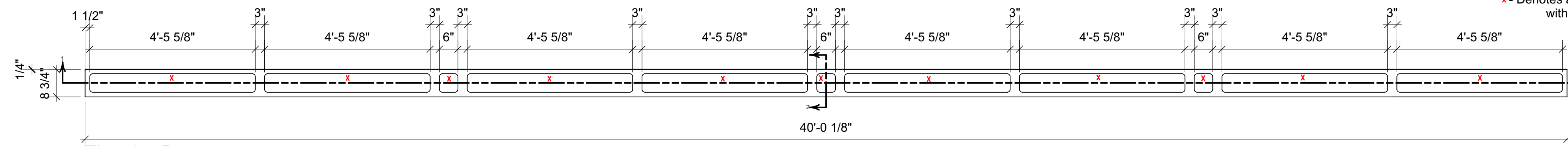
Section 2
Scale: Actual Size

- Notes:
- All face panels should be MDF
 - Fabric type TBD
 - LED Placement TBD
 - All Steel is 1" box Steel
 - All light box internals should be painted white.

Designer/Contact Information: Julie Ray jaray@uga.edu (412) 215-7697	
S.D. 7290 SCENIC DESIGNER	
Drawn By: JMS Revision Date:	
NOTES:	
Project: <h1 style="text-align: center;">Beautiful</h1>	Producer: Aurora Theatre
Purpose: <h2 style="text-align: center;">Column Details B</h2>	
Date: 6/10/2023	
Scale: AS NOTED	
Sheet: <h1 style="text-align: center;">13</h1> OF <h1 style="text-align: center;">27</h1>	

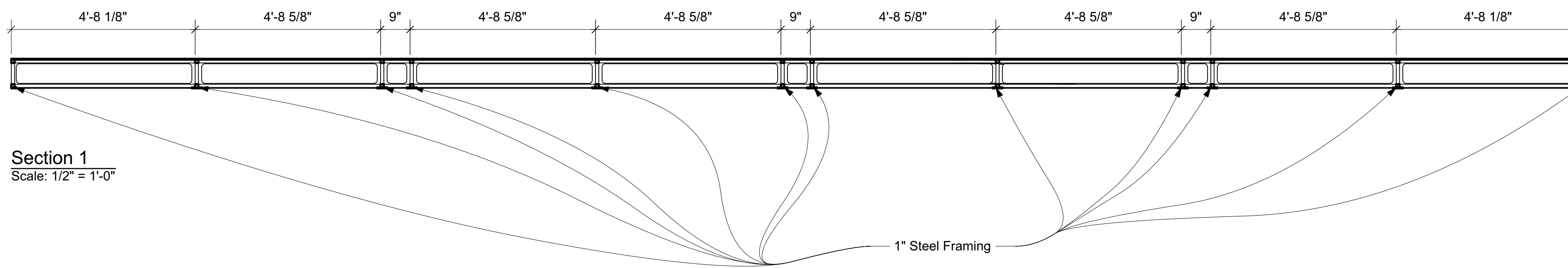


Elevation Front
Scale: 1/2" = 1'-0"

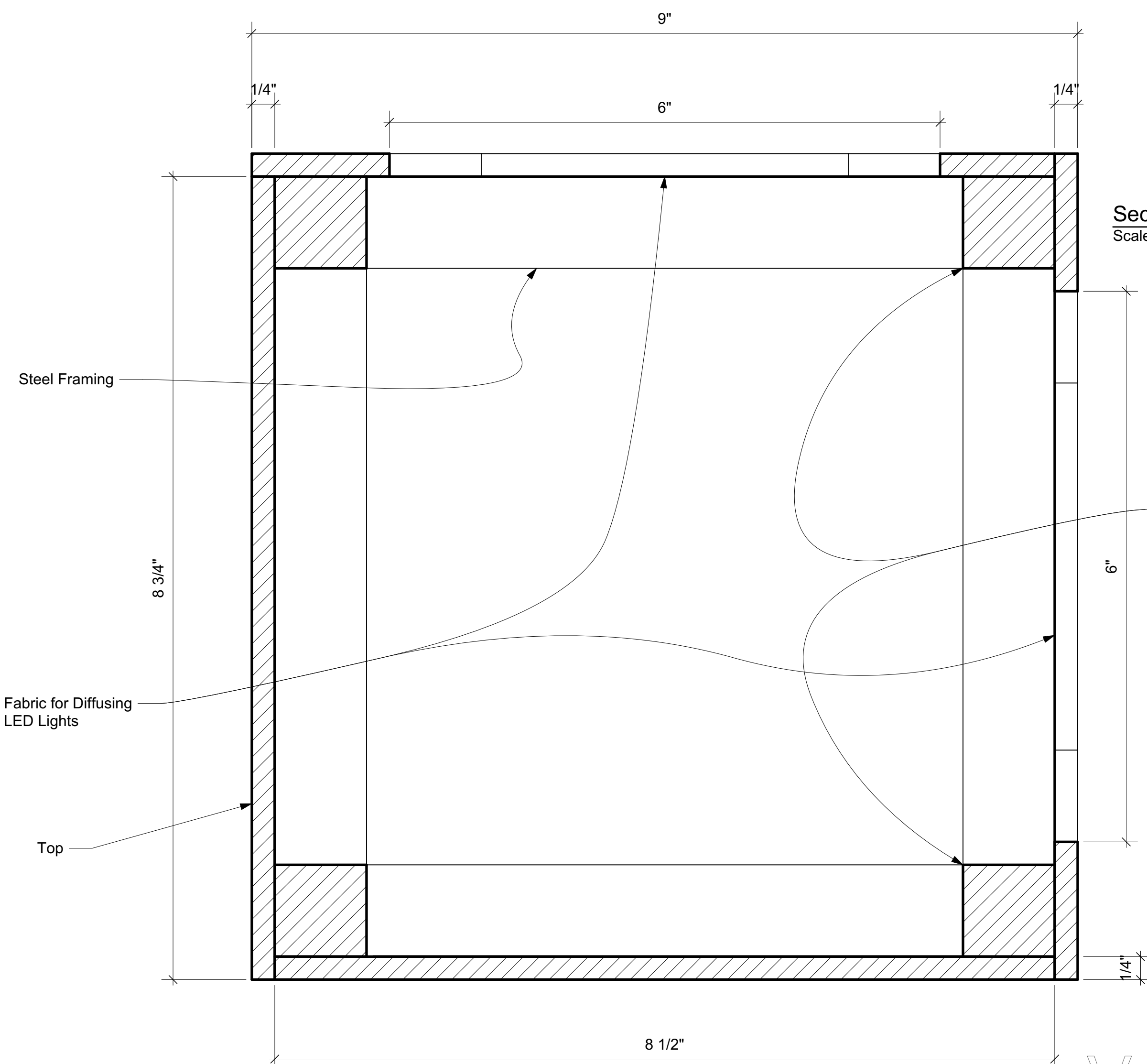


Elevation Bottom
Scale: 1/2" = 1'-0"

- Notes:
- All cutout corners are the same 1" radius
 - All faces made from 1/4" MDF Painted
 - x - Denotes a hole in the facing with fabric backing



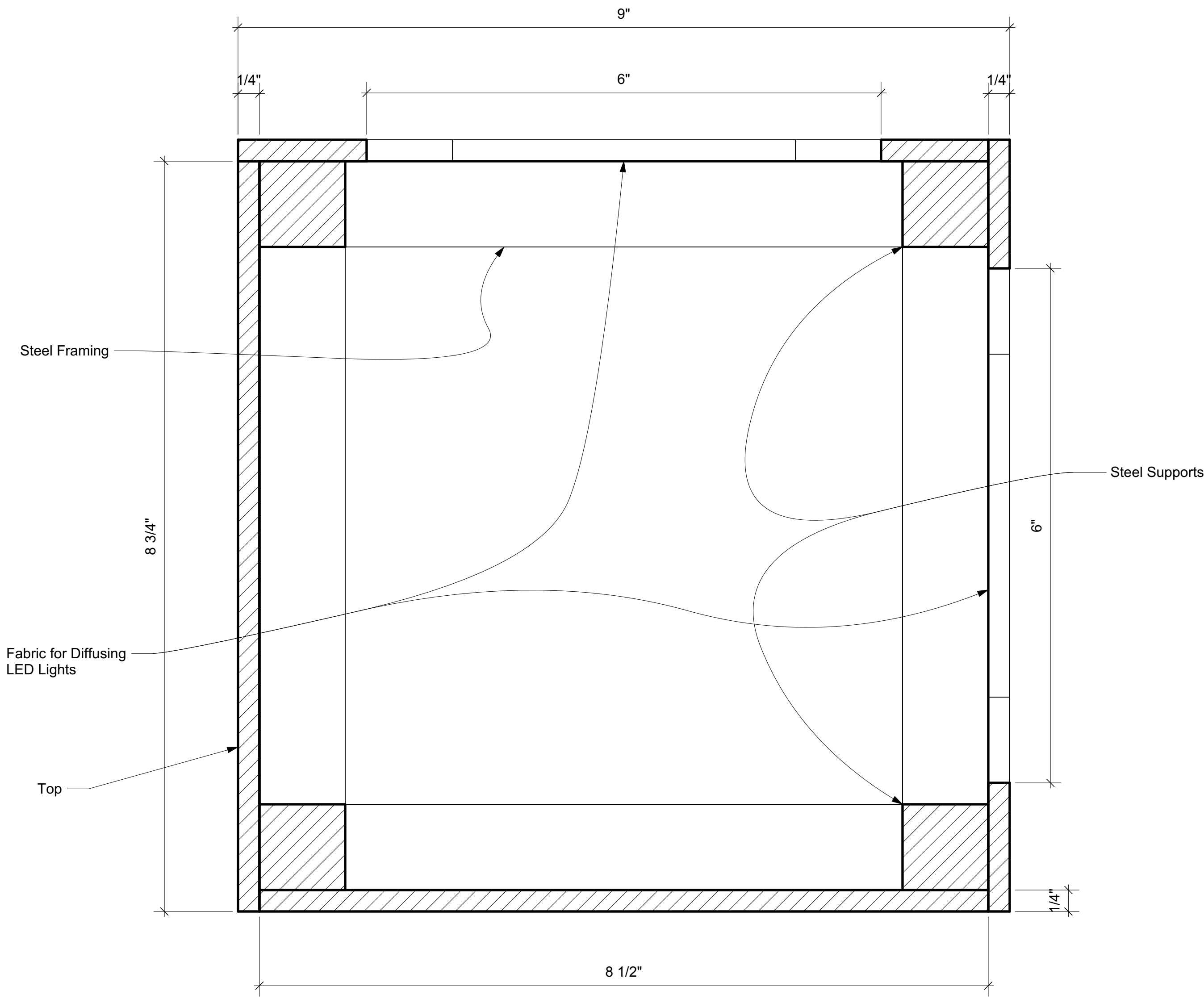
Section 1
Scale: 1/2" = 1'-0"



Section 2
Scale: Actual Size

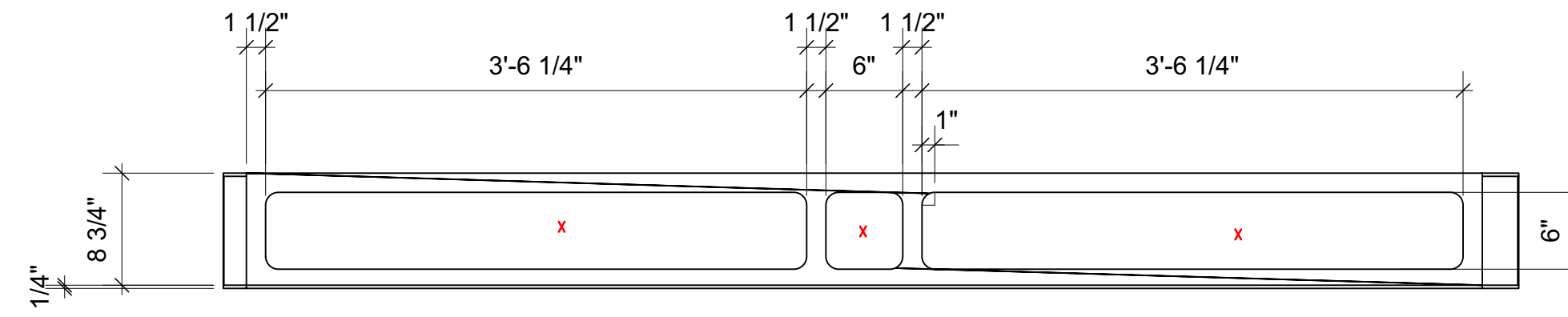
- Notes:
- All face panels should be MDF
 - Fabric type TBD
 - LED Placement TBD
 - All Steel is 1" box Steel
 - All light box internals should be painted white.

		S.D. 7290 SCENIC DESIGNER 	
Designer/Contact Information: Julie Ray jaray@uga.edu (412) 215-7697		Drawn By: JMS Revision Date:	
NOTES:			
Project: <h1 style="font-size: 2em;">Beautiful</h1>		Producer: Aurora Theatre Purpose: <h1 style="font-size: 2em;">Header Column</h1>	
Date: 6/16/2023			
Scale: AS NOTED			
Sheet: 14 OF 27			



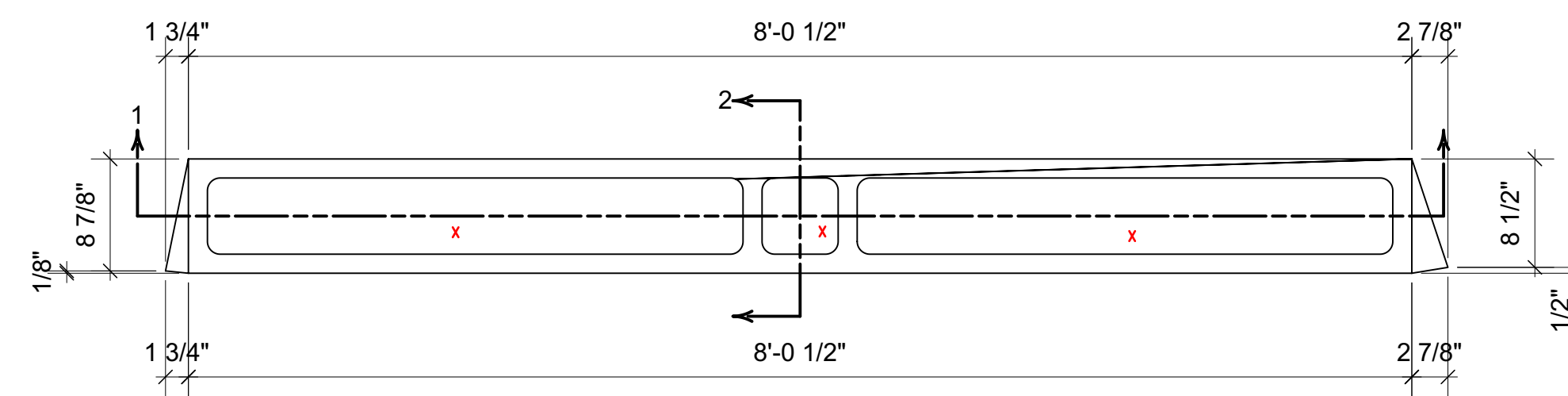
Section 2
Scale: Actual Size

- Notes:
- All face panels should be MDF
 - Fabric type TBD
 - LED Placement TBD
 - All Steel is 1" box Steel
 - All light box internals should be painted white.

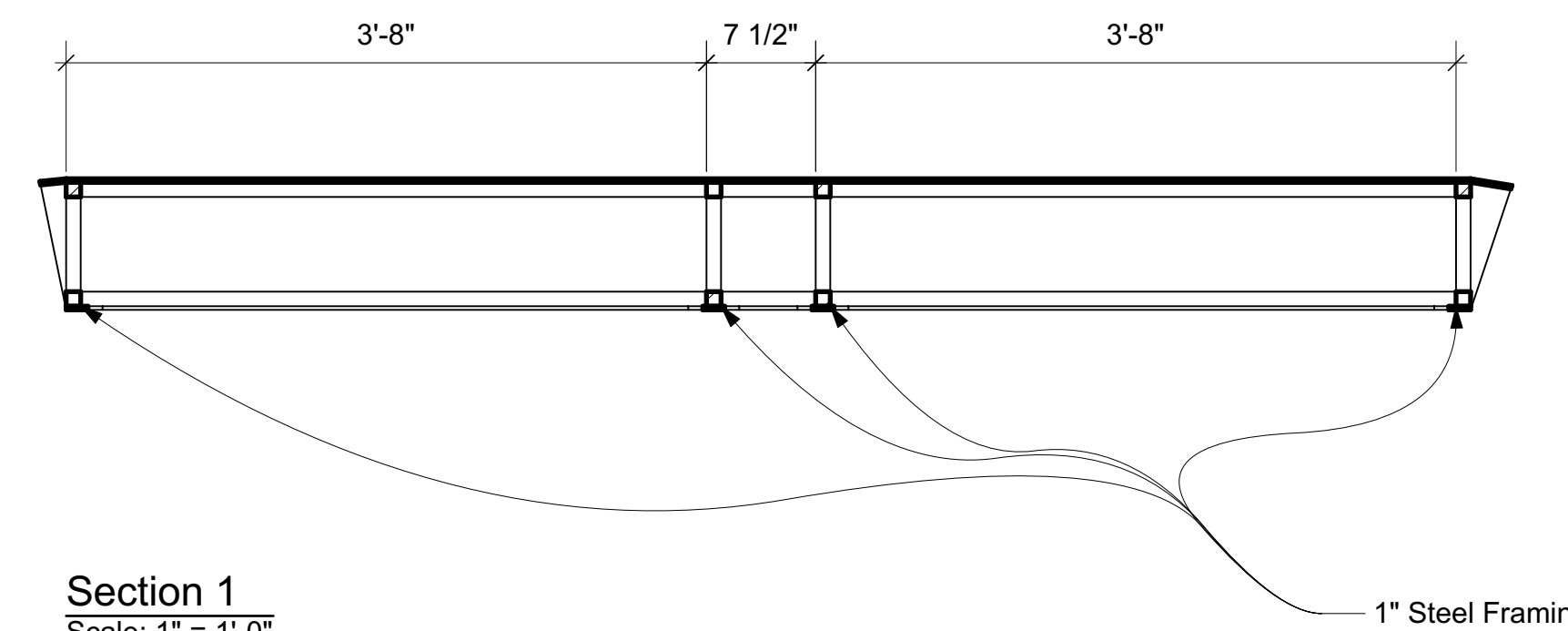


Elevation Front
Scale: 1" = 1'-0"

- Notes:
- All cutout corners are the same 1" radius
 - All faces made from 1/4" MDF Painted
 - x - Denotes a hole in the facing with fabric backing



Elevation Bottom
Scale: 1" = 1'-0"



Section 1
Scale: 1" = 1'-0"

S.D. 7290
SCENIC DESIGNER

Designer/Contact Information:
Julie Ray
jaray@uga.edu
(412) 215-7697

Drawn By: JMS
Revision Date:

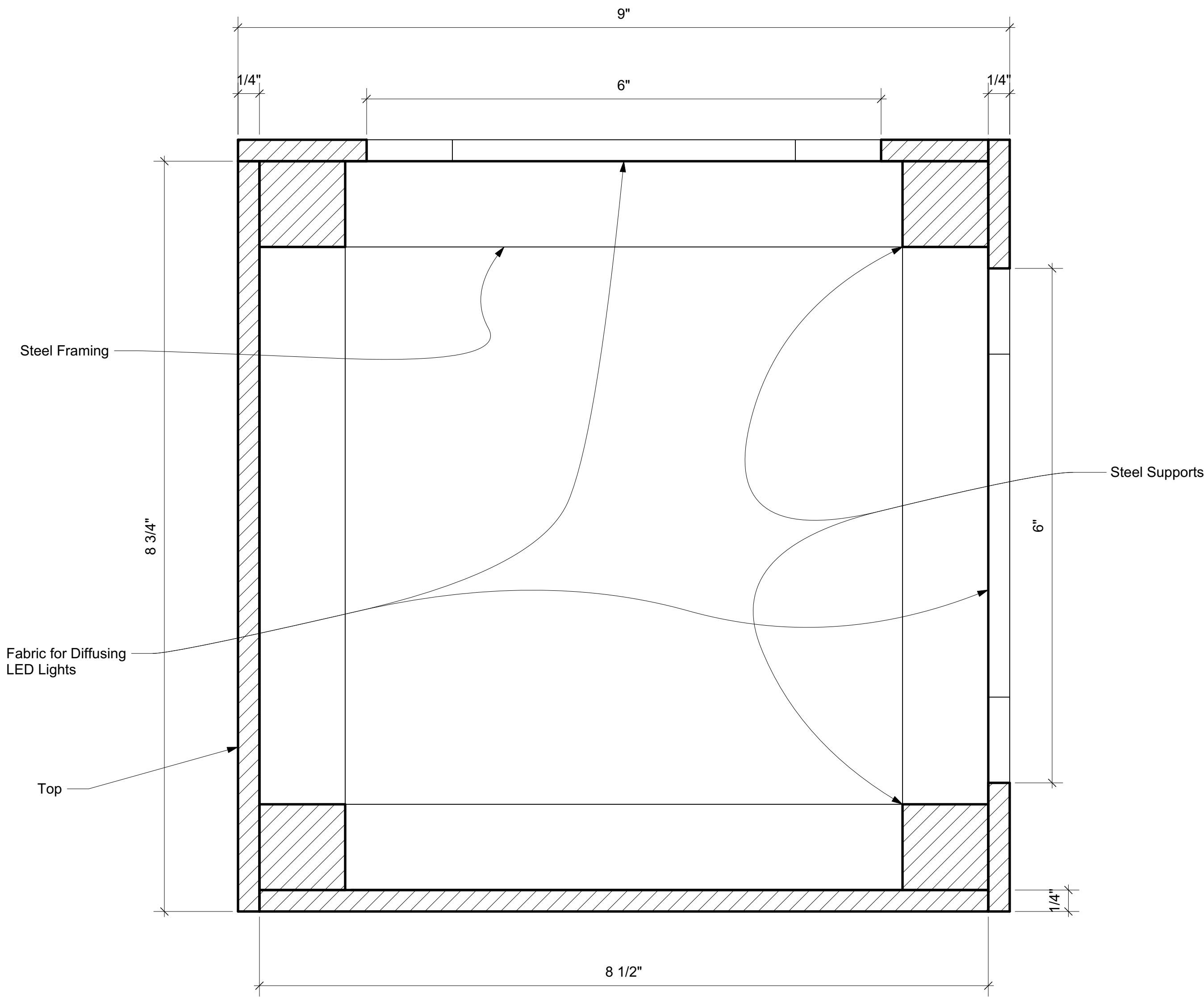
NOTES:
Reverse and Repeat for Platform G

Project: **Beautiful**
Producer: Aurora Theatre
Purpose: **Top Columns A**

Date: 6/16/2023

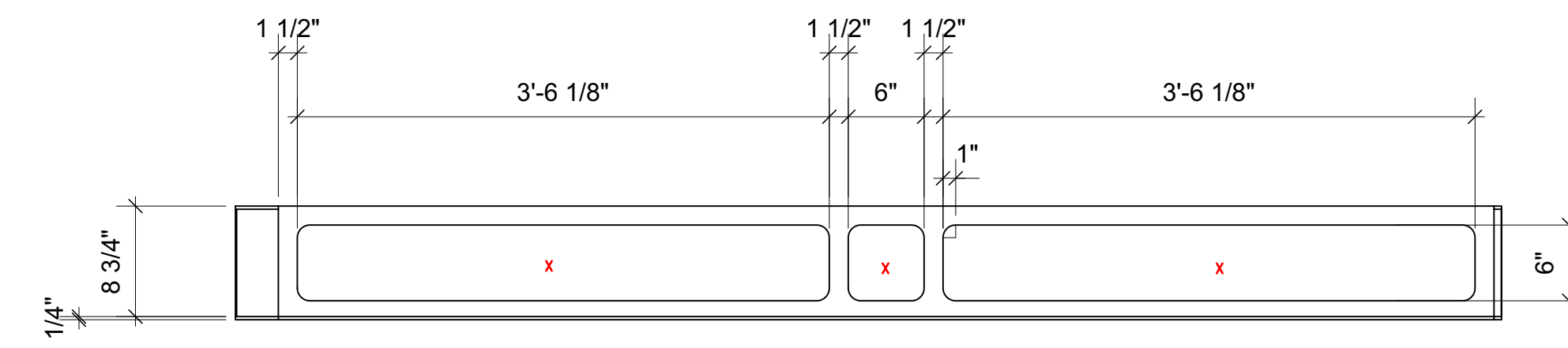
Scale: AS NOTED

Sheet: **15**
OF
27



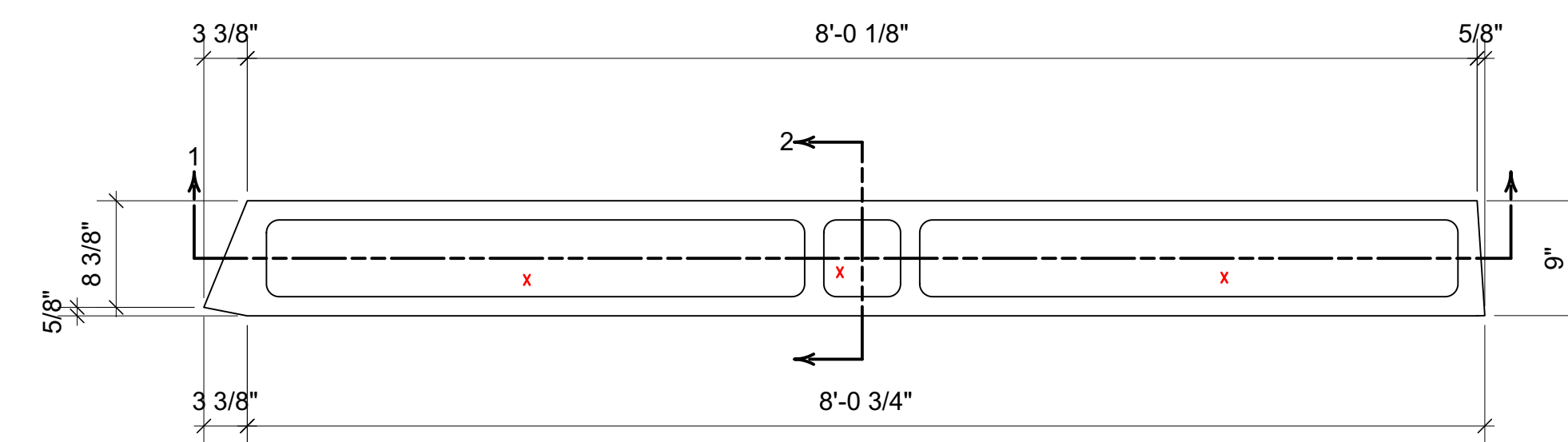
Section 2
Scale: Actual Size

- Notes:
- All face panels should be MDF
 - Fabric type TBD
 - LED Placement TBD
 - All Steel is 1" box Steel
 - All light box internals should be painted white.

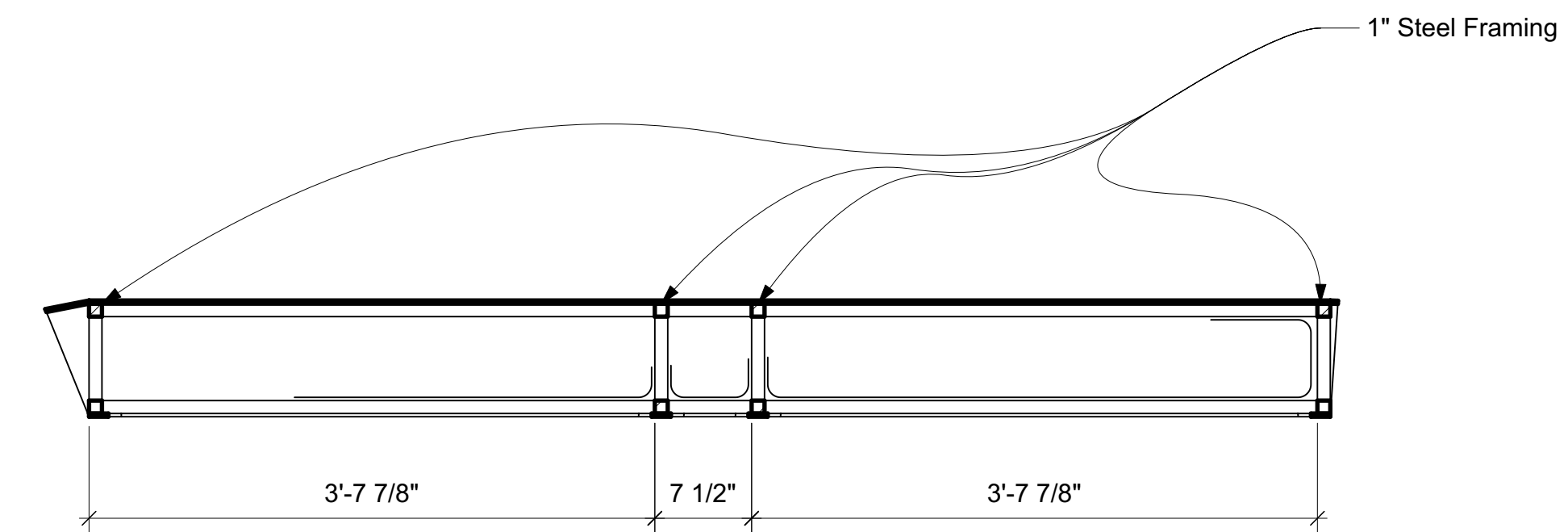


Elevation Front
Scale: 1" = 1'-0"

- Notes:
- All cutout corners are the same 1" radius
 - All faces made from 1/4" MDF Painted
 - x - Denotes a hole in the facing with fabric backing



Elevation Bottom
Scale: 1" = 1'-0"



Section 1
Scale: 1" = 1'-0"

	S.D. 7290 SCENIC DESIGNER
	Designer/Contact Information: Julie Ray jaray@uga.edu (412) 215-7697
Drawn By: JMS	Revision Date:

NOTES:

Reverse and Repeat for Platform F

Project: **Beautiful**

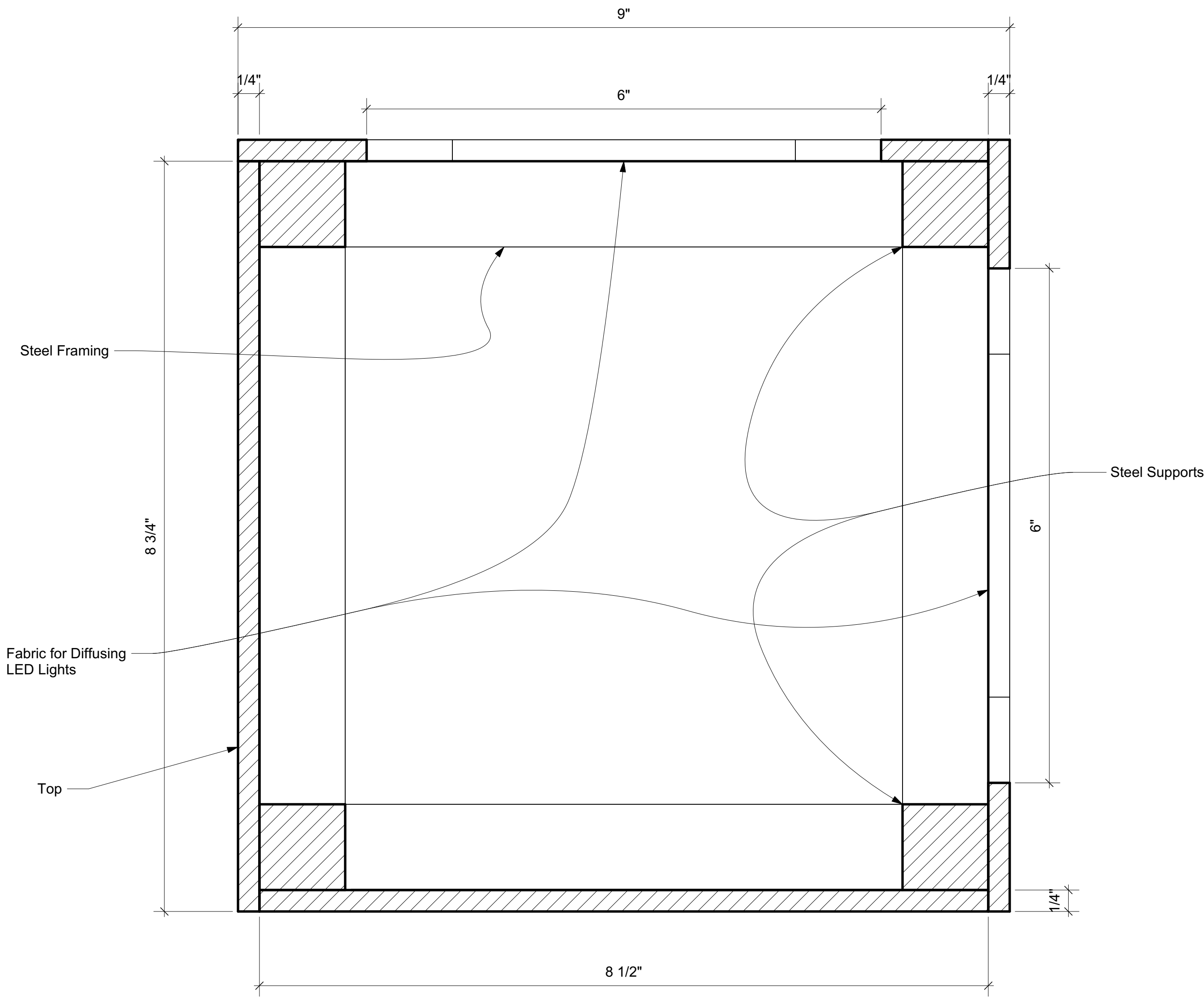
Producer: Aurora Theatre

Purpose: **Top Columns B**

Date: 6/16/2023

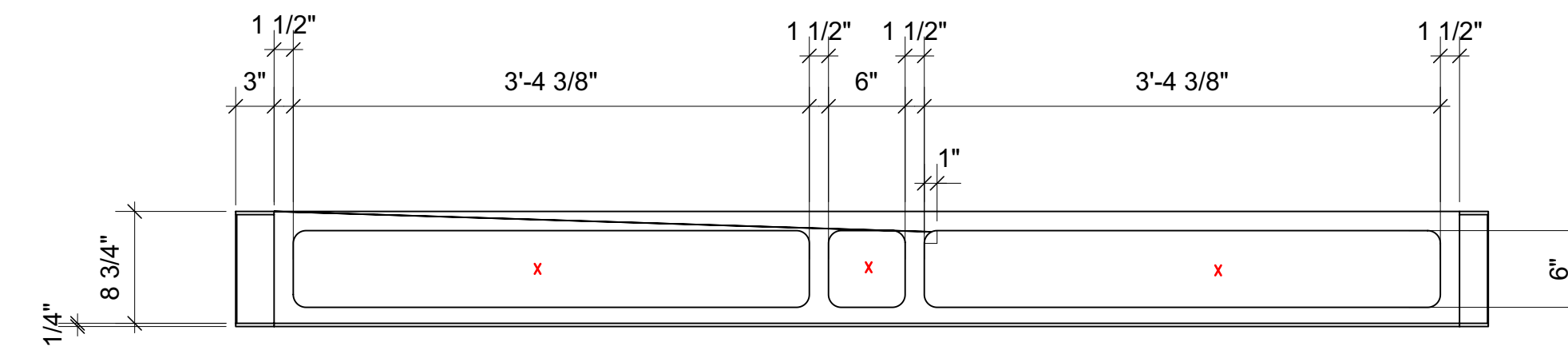
Scale: AS NOTED

Sheet: **16**
OF
27



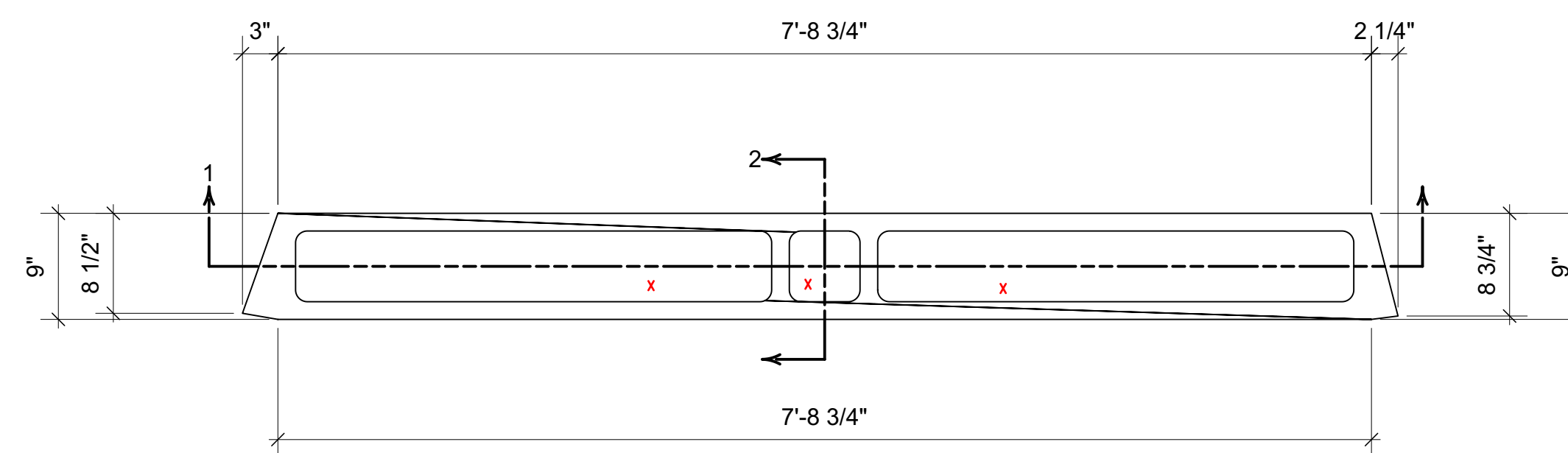
Section 2
Scale: Actual Size

- Notes:
- All face panels should be MDF
 - Fabric type TBD
 - LED Placement TBD
 - All Steel is 1" box Steel
 - All light box internals should be painted white.

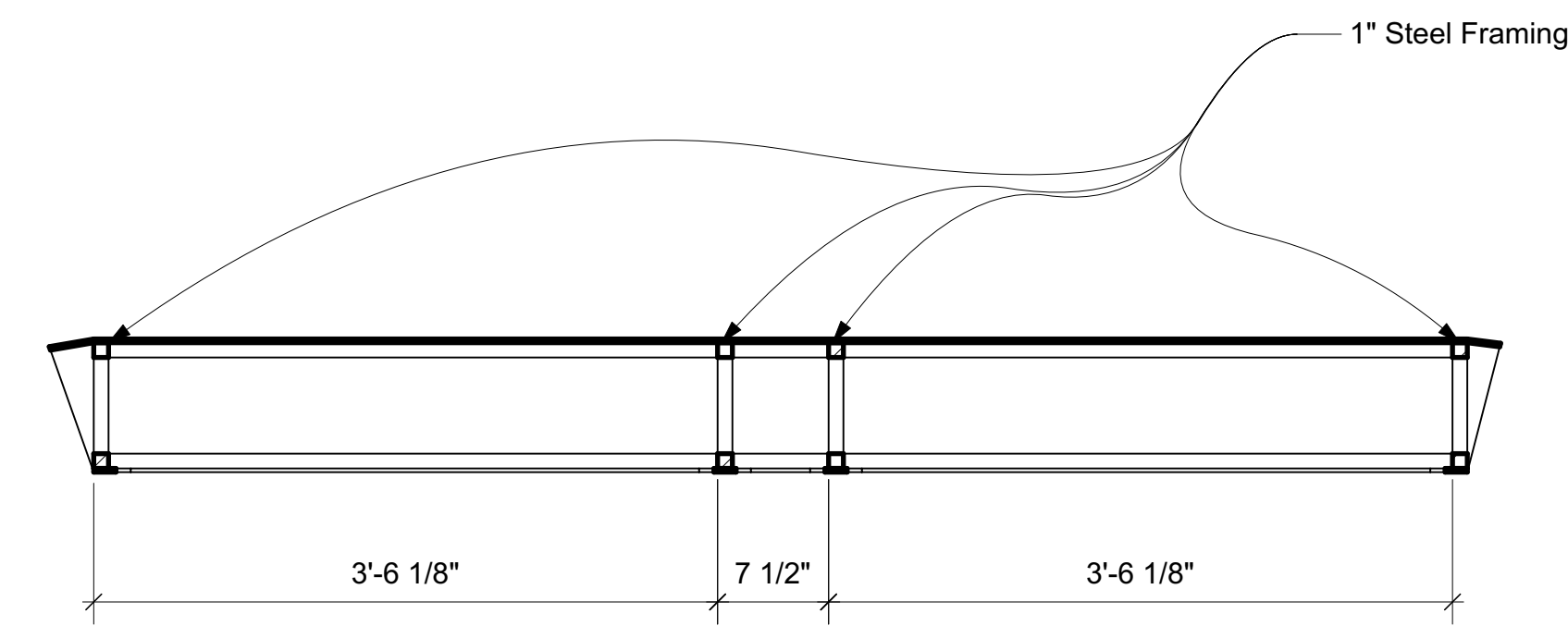


Elevation Front
Scale: 1" = 1'-0"


- Notes:
- All cutout corners are the same 1" radius
 - All faces made from 1/4" MDF Painted
 - x - Denotes a hole in the facing with fabric backing



Elevation Bottom
Scale: 1" = 1'-0"



Section 1
Scale: 1" = 1'-0"

 S.D. 7290 SCENIC DESIGNER	Designer/Contact Information: Julie Ray jaray@uga.edu (412) 215-7697	Drawn By: JMS
		Revision Date:

NOTES:

Reverse and Repeat for Platform E

Project: **Beautiful**

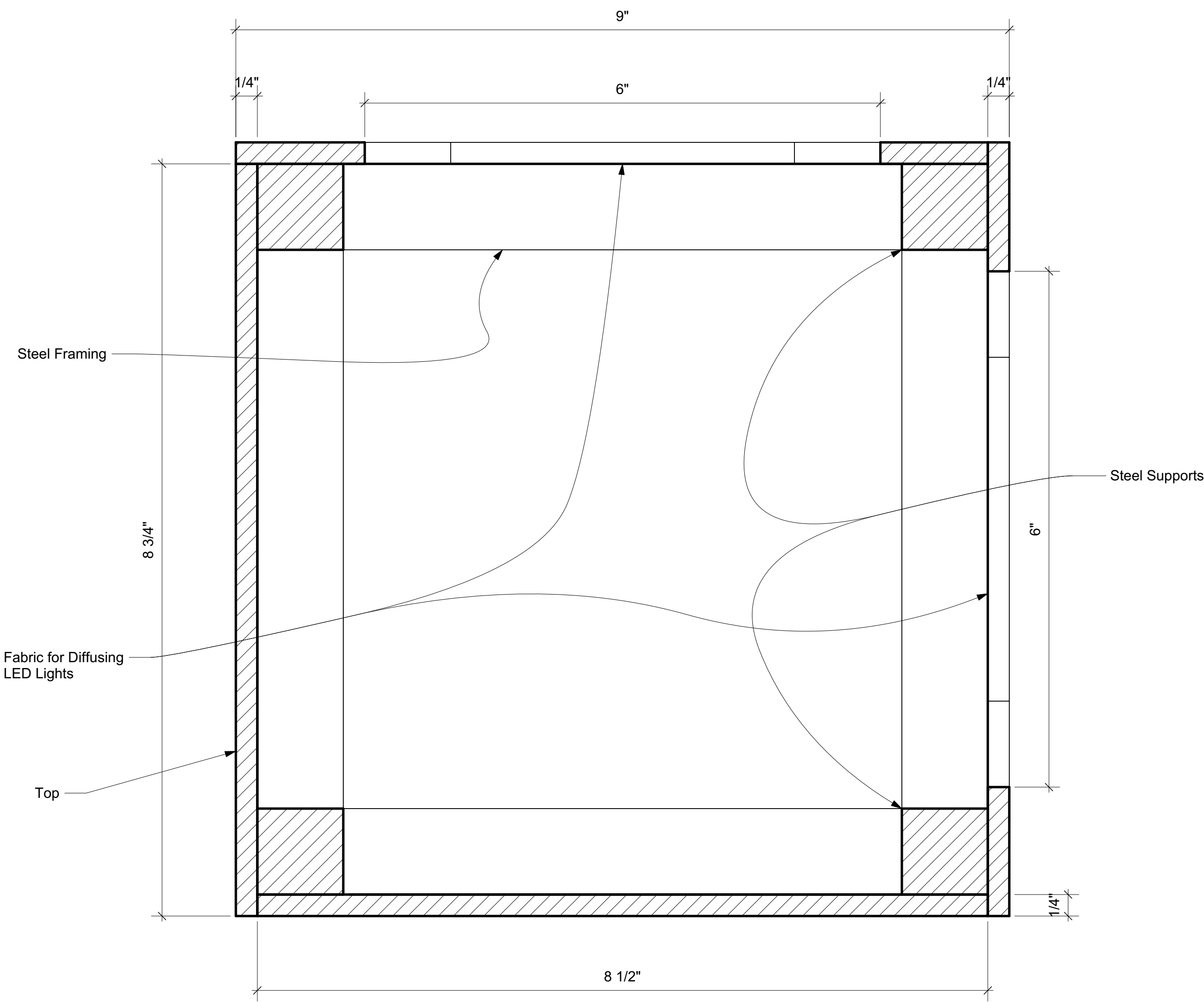
Producer: Aurora Theatre

Purpose: **Top Columns C**

Date: 6/16/2023

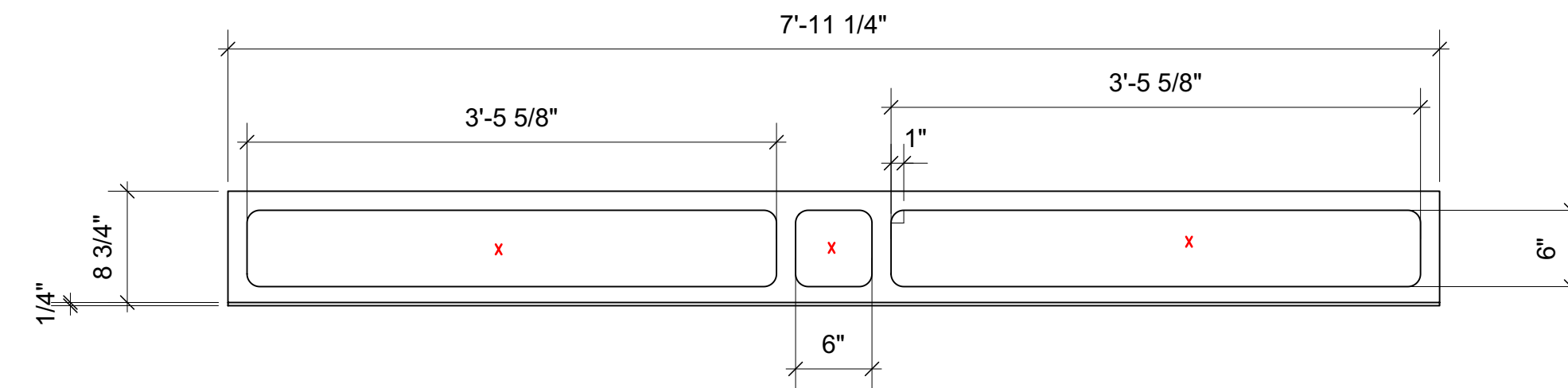
Scale: AS NOTED

Sheet: **17**
OF
27



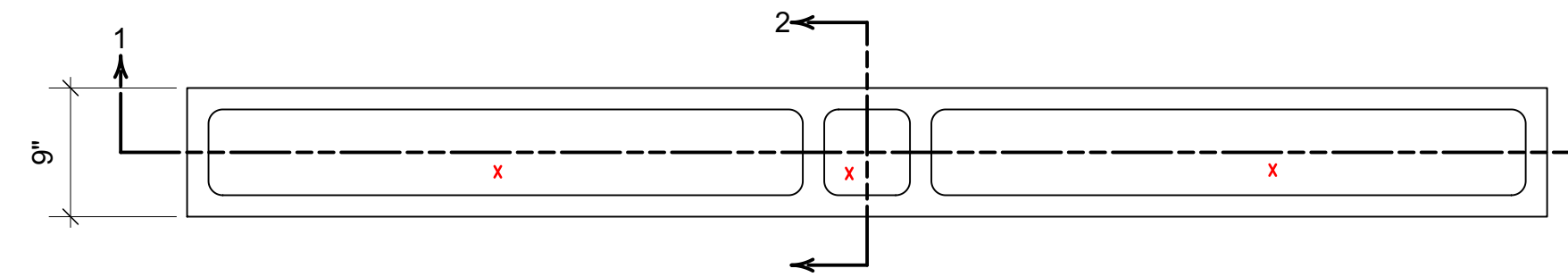
Section 2
Scale: Actual Size

- Notes:
- All face panels should be MDF
 - Fabric type TBD
 - LED Placement TBD
 - All Steel is 1" box Steel
 - All light box internals should be painted white.

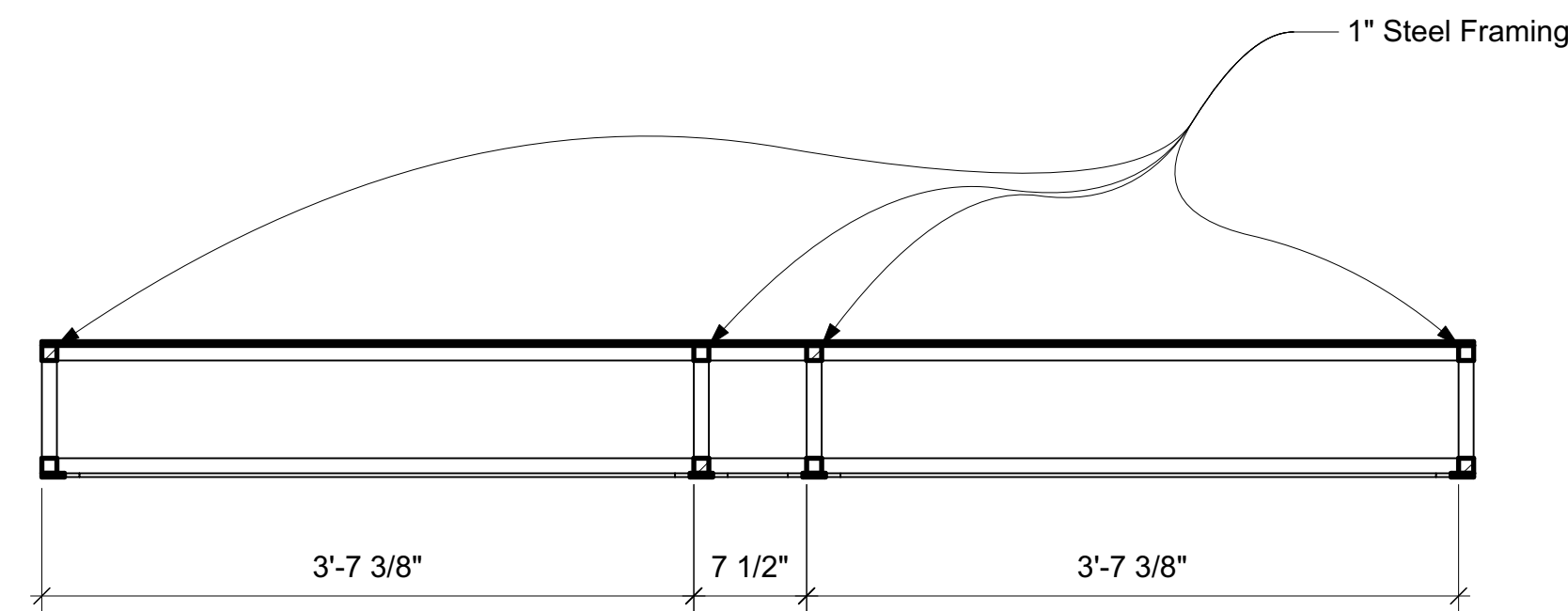


Elevation Front
Scale: 1" = 1'-0"

- Notes:
- All cutout corners are the same 1" radius
 - All faces made from 1/4" MDF Painted
 - x - Denotes a hole in the facing with fabric backing



Elevation Bottom
Scale: 1" = 1'-0"



Section 1
Scale: 1" = 1'-0"

Designer/Contact Information:
Julie Ray
jaray@uga.edu
(412) 215-7697

Drawn By: JMS
Revision Date:

NOTES:

Project: **Beautiful**

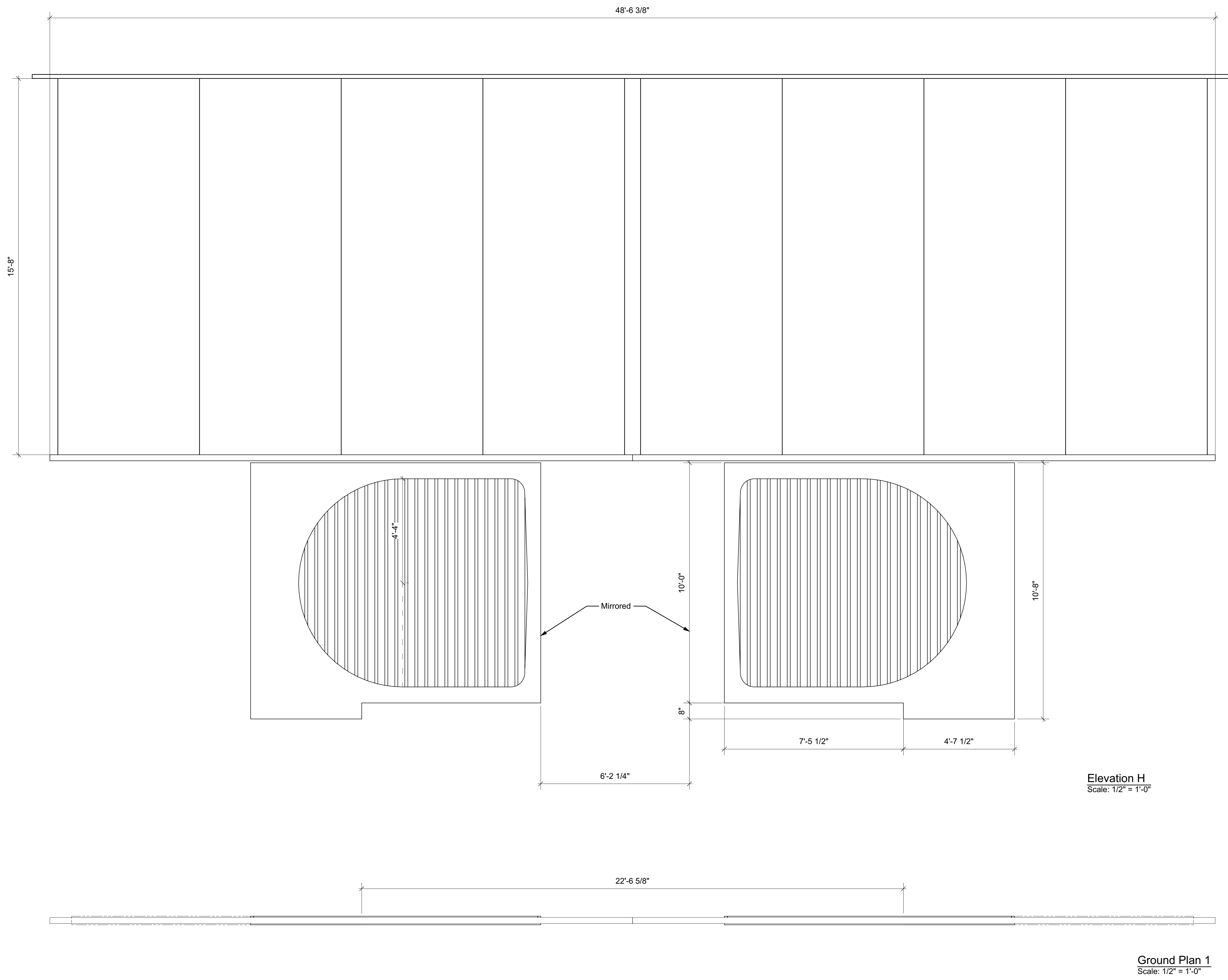
Producer: Aurora Theatre


Purpose: **Top Columns D**

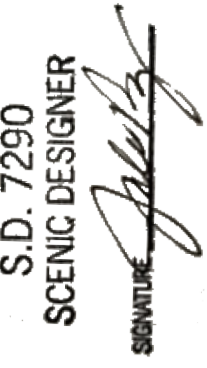
Date: 6/16/2023

Scale: AS NOTED

Sheet: **18**
OF
27





 S.D. 7290
 SCENIC DESIGNER


Designer/Contact Information:
Julie Ray
 jaray@uga.edu
 (412) 215-7697

Drawn By: JMS
 Revision Date:

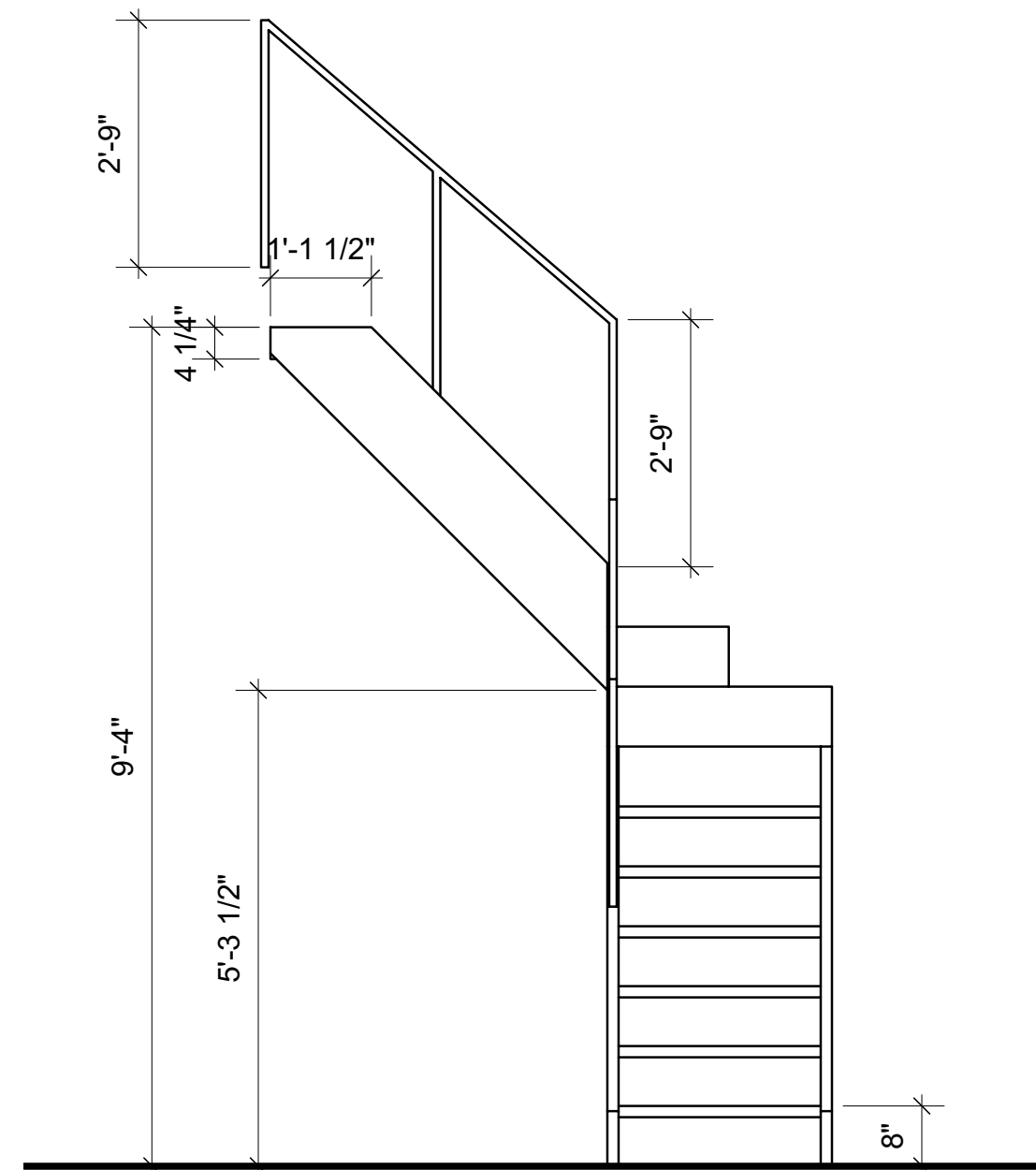
NOTES:

Project: **Beautiful**
 Producer: Aurora Theatre
 Purpose: **Tracking Wall**

Date: 6/16/2023

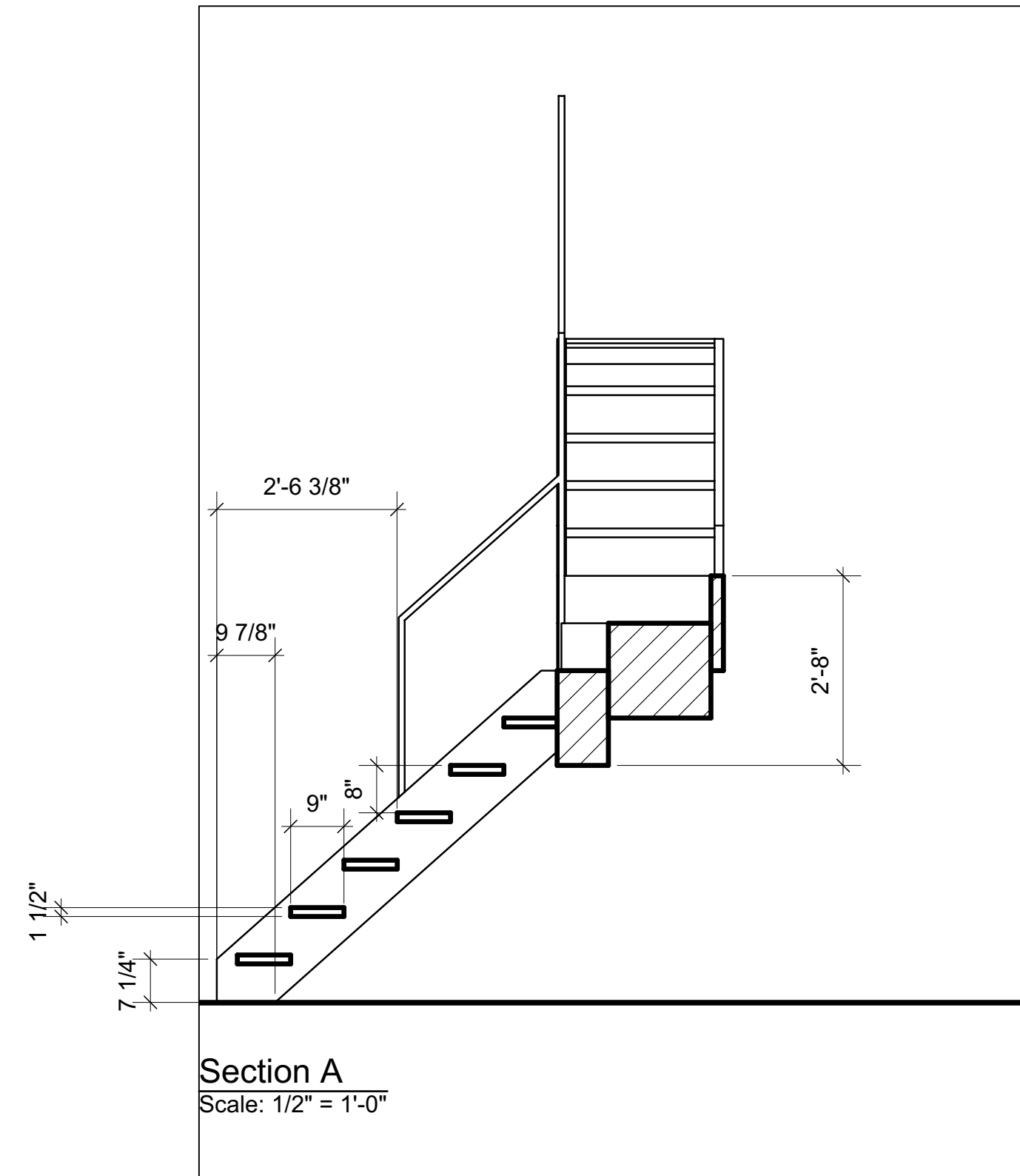
Scale: AS NOTED

Sheet:
19
 OF
27

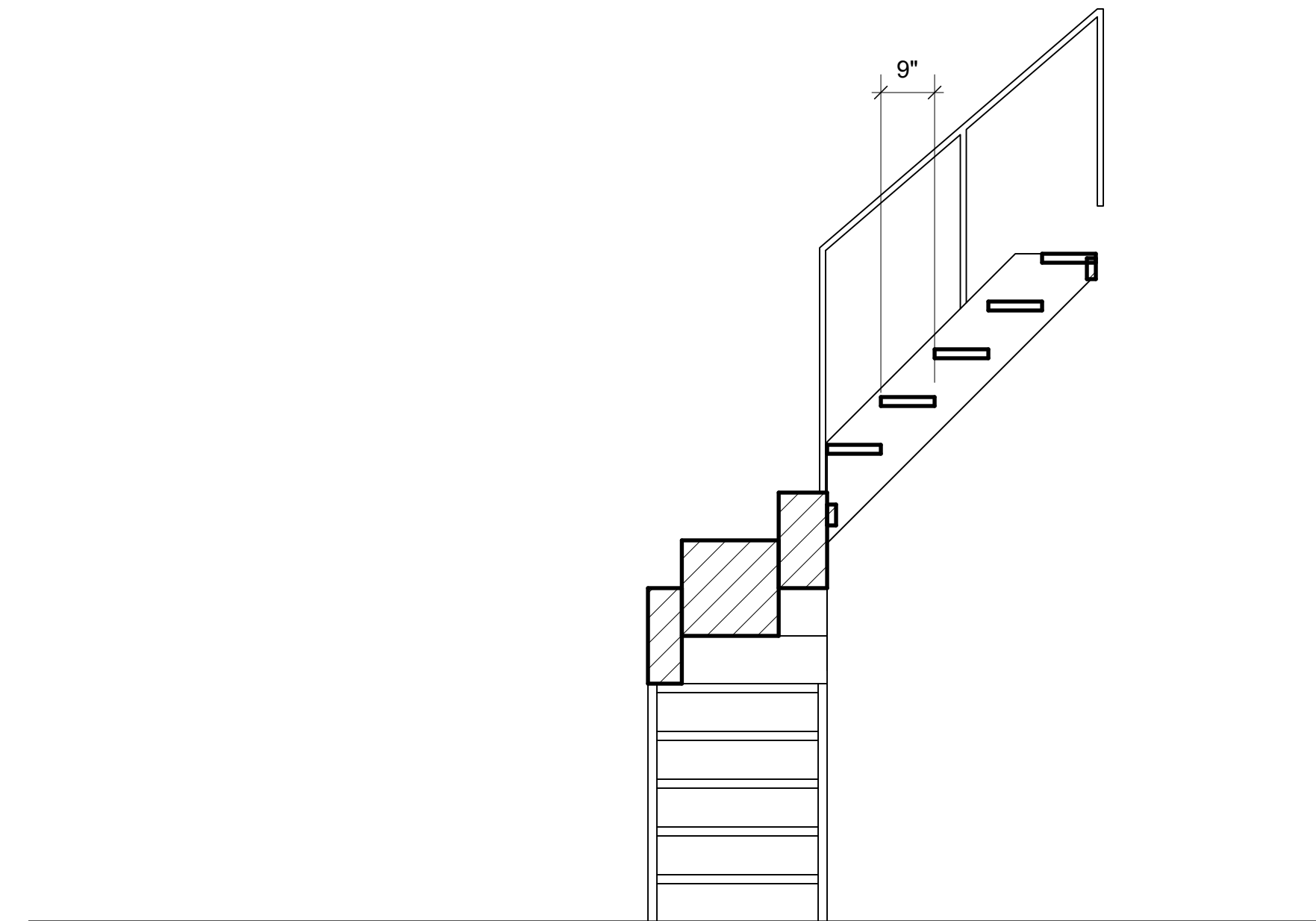


Elevation 1
Scale: 1/2" = 1'-0"

Notes:
- All steps are 8"

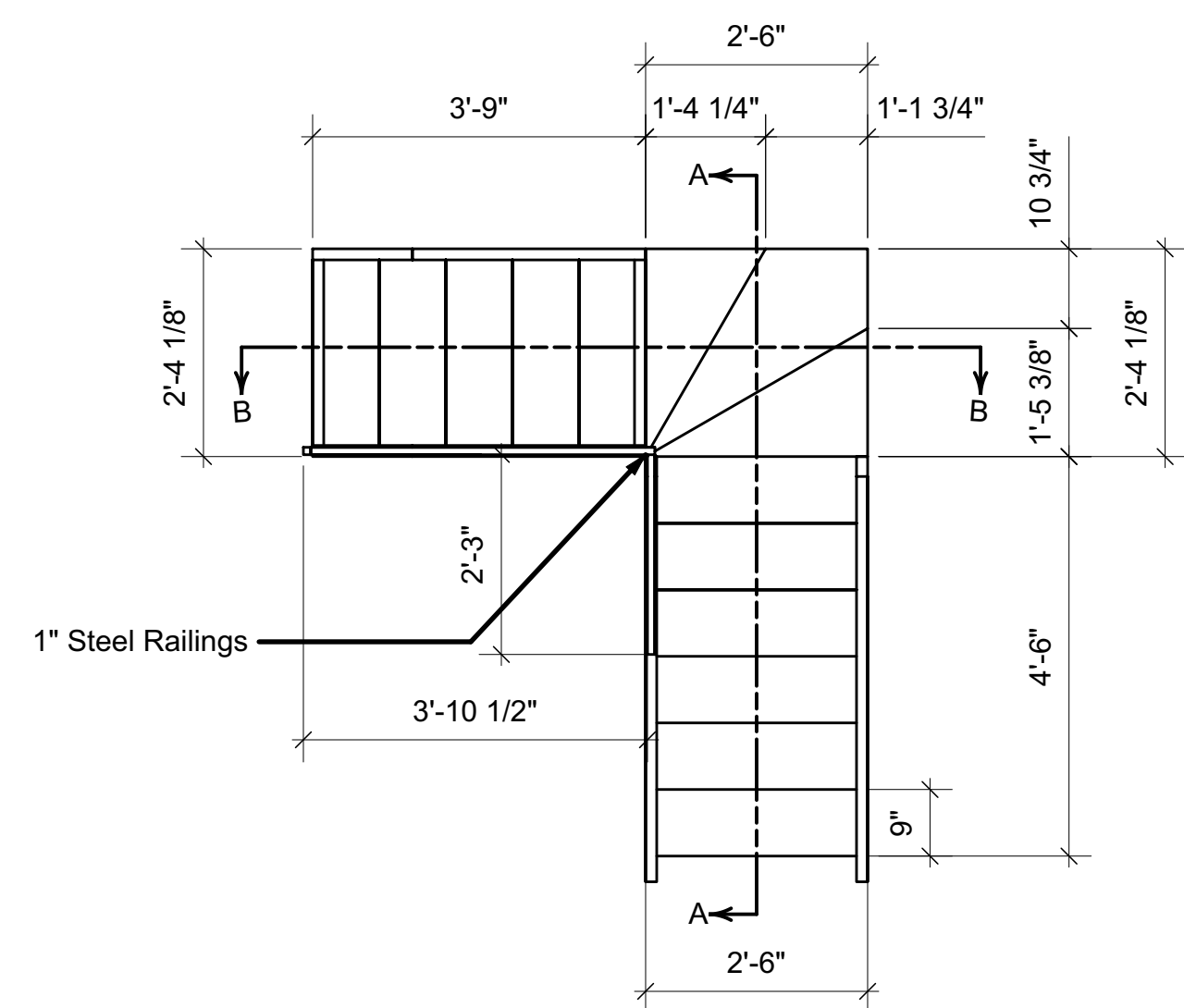


Section A
Scale: 1/2" = 1'-0"



[Drawing Title] 3
Scale: 1/2" = 1'-0"

Notes:
- Steps should look wood stained



	S.D. 7290 SCENIC DESIGNER
	Designer/Contact Information: Julie Ray jaray@uga.edu (412) 215-7697
Drawn By: JMS	Revision Date:

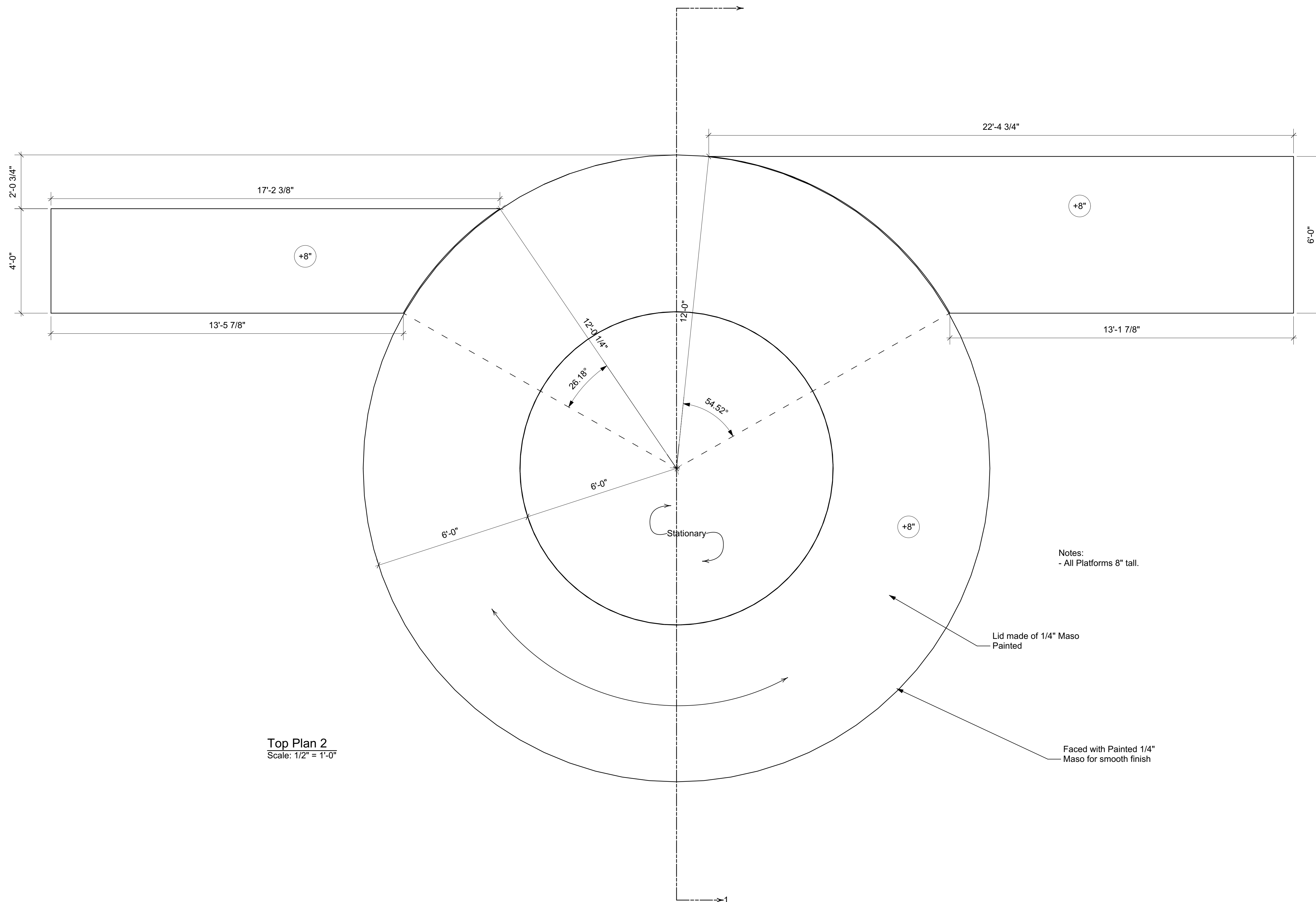
NOTES:
Reverse and Repeat for Platform F

Project: **Beautiful**
 Producer: Aurora Theatre
 Purpose: **Stairs**

Date: 6/16/2023

Scale: AS NOTED

Sheet: **20**
OF
27



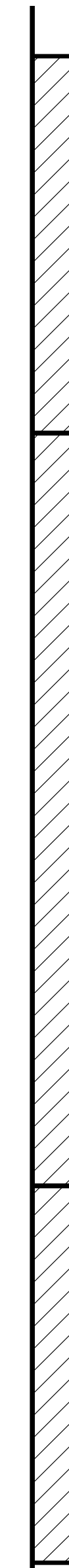
Top Plan 2
Scale: 1/2" = 1'-0"

Notes:
- All Platforms 8" tall.

Lid made of 1/4" Maso
Painted

Faced with Painted 1/4"
Maso for smooth finish

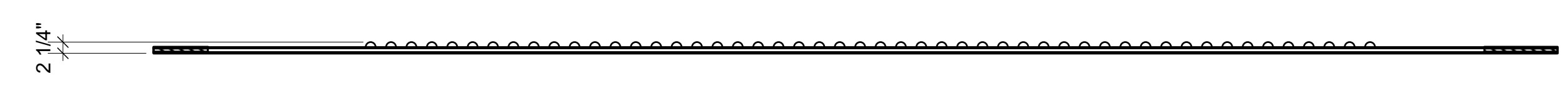
Scale: 1/2" = 1'-0"
Section 1



		S.D. 7290 SCENIC DESIGNER 	
Designer/Contact Information: Julie Ray jaray@uga.edu (412) 215-7697		Drawn By: JMS Revision Date:	
NOTES:			
<h1>Beautiful</h1>		Producer: Aurora Theatre Purpose: Turntable	
Project:		Date: 6/16/2023	
Scale:		AS NOTED	
Sheet:		<h1>21</h1> OF <h1>27</h1>	



Elevation A
Scale: 1/2" = 1'-0"



Plan View 1
Scale: 1/2" = 1'-0"

Section A.1
Scale: 1/2" = 1'-0"

S.D. 7290
SCENIC DESIGNER

Designer/Contact Information:
 Julie Ray
 jaray@uga.edu
 (412) 215-7697

Drawn By: Cody Russel
 Revision Date:

NOTES:

Project: **Beautiful**

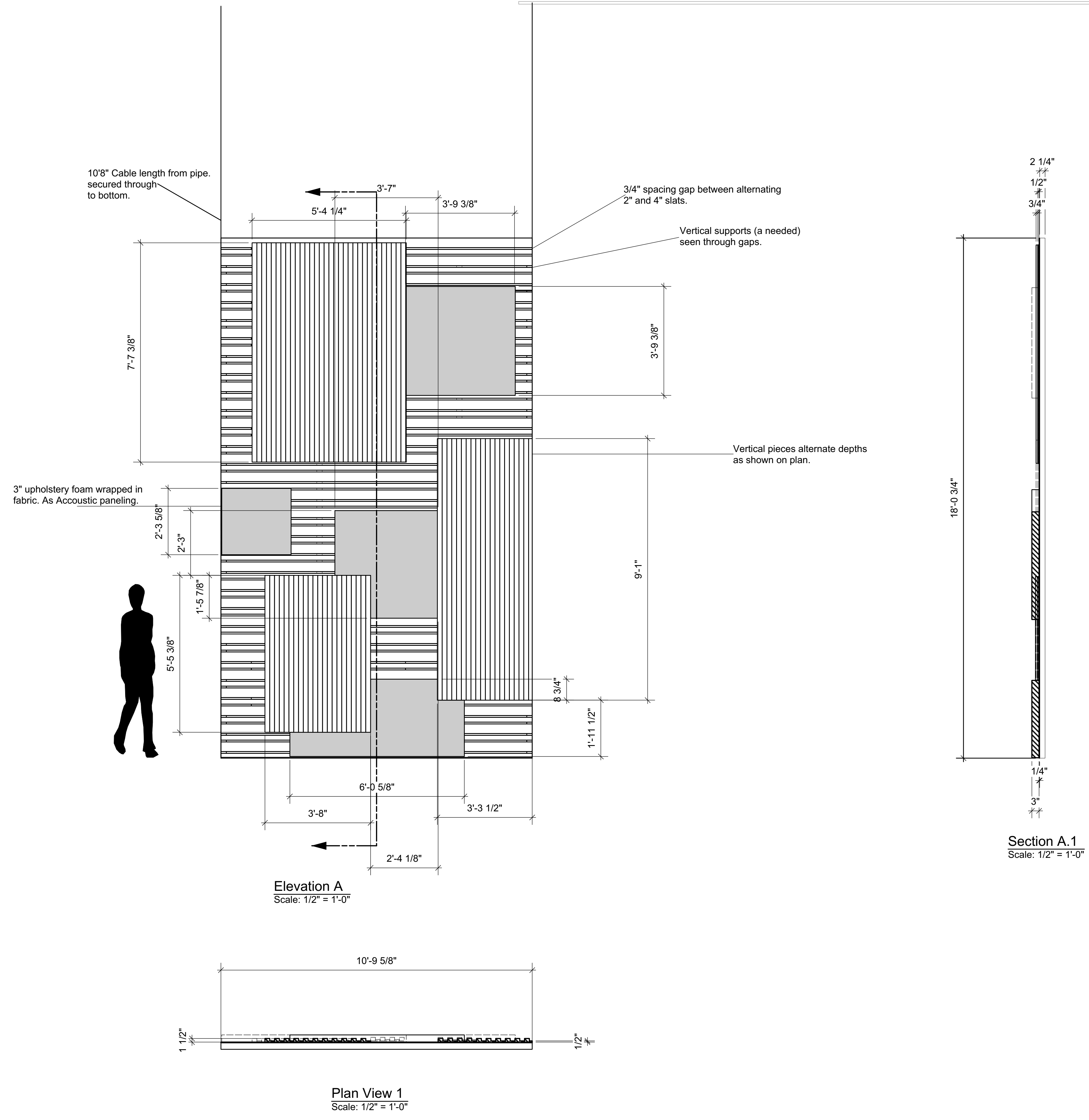
Producer: Aurora Theatre

Purpose: **Beautiful Sign**

Date: 6/16/2023

Scale: N/A

Sheet: **22**
OF
27



S.D. 7290
SCENIC DESIGNER

Designer/Contact Information:
Julie Ray
 jaray@uga.edu
 (412) 215-7697

Drawn By: **Cody Russel**
 Revision Date:

NOTES:

Project: **Beautiful**

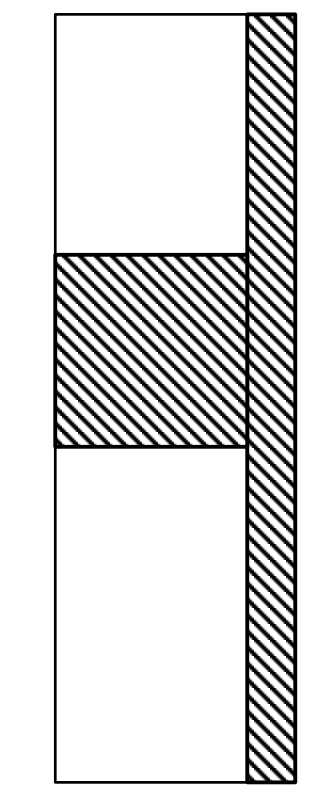
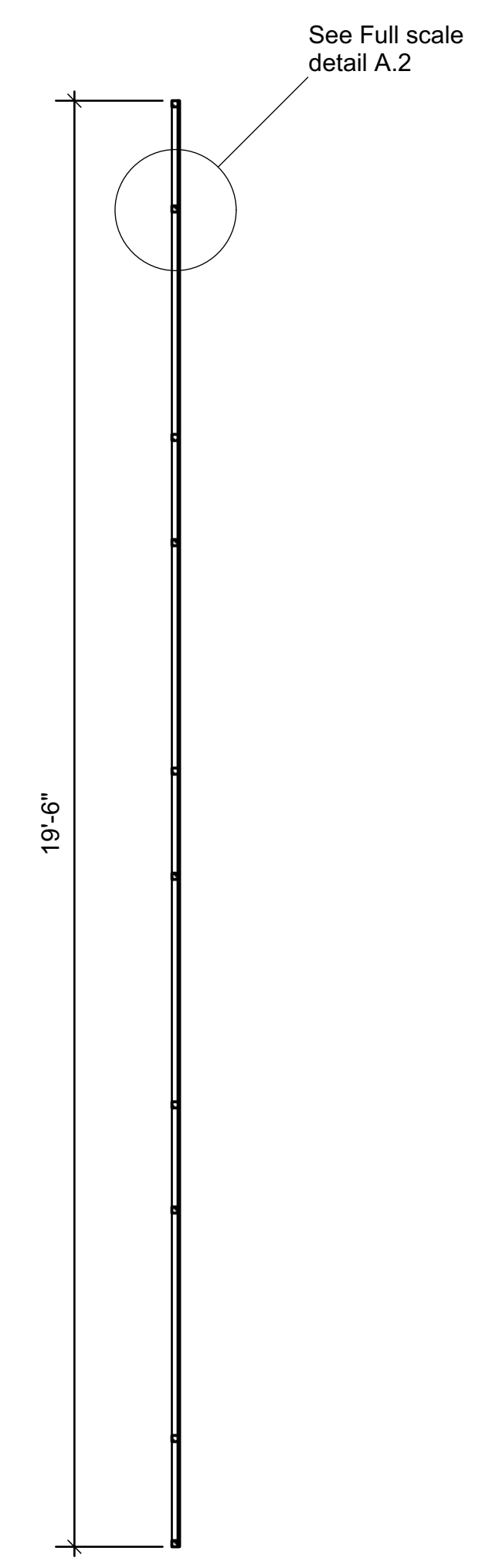
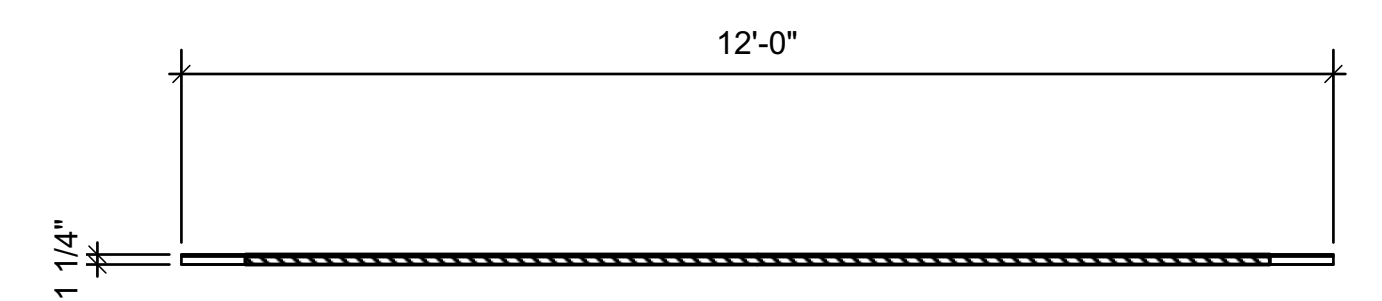
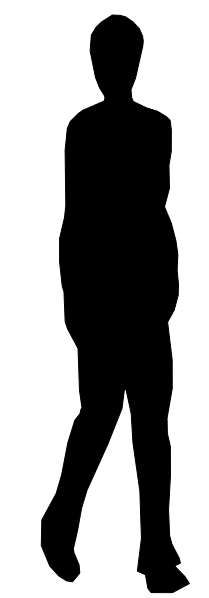
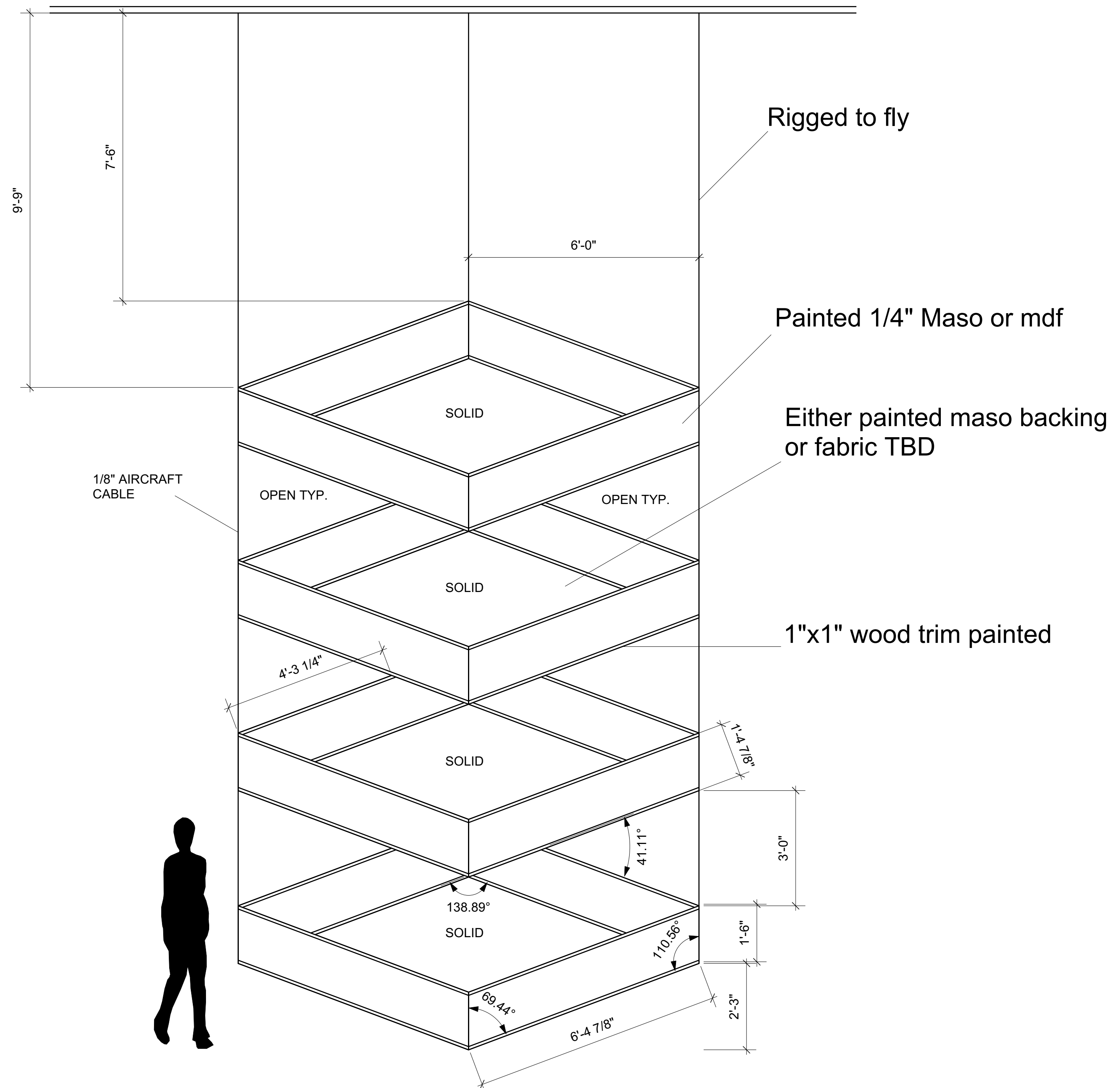
Producer: **Aurora Theatre**


Purpose: **Recording Wall**

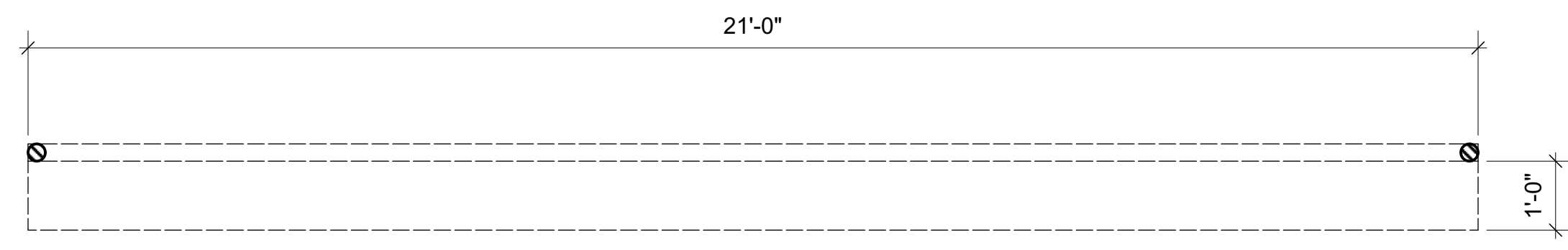
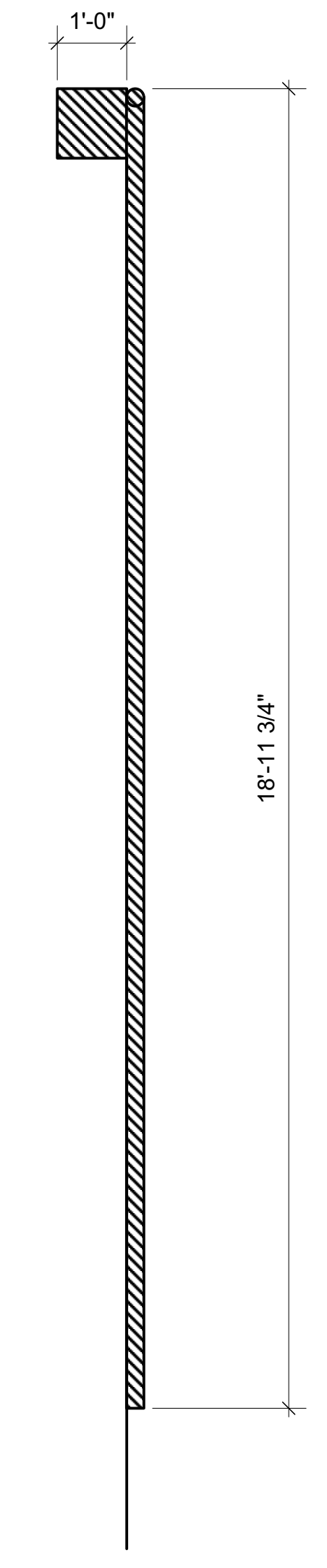
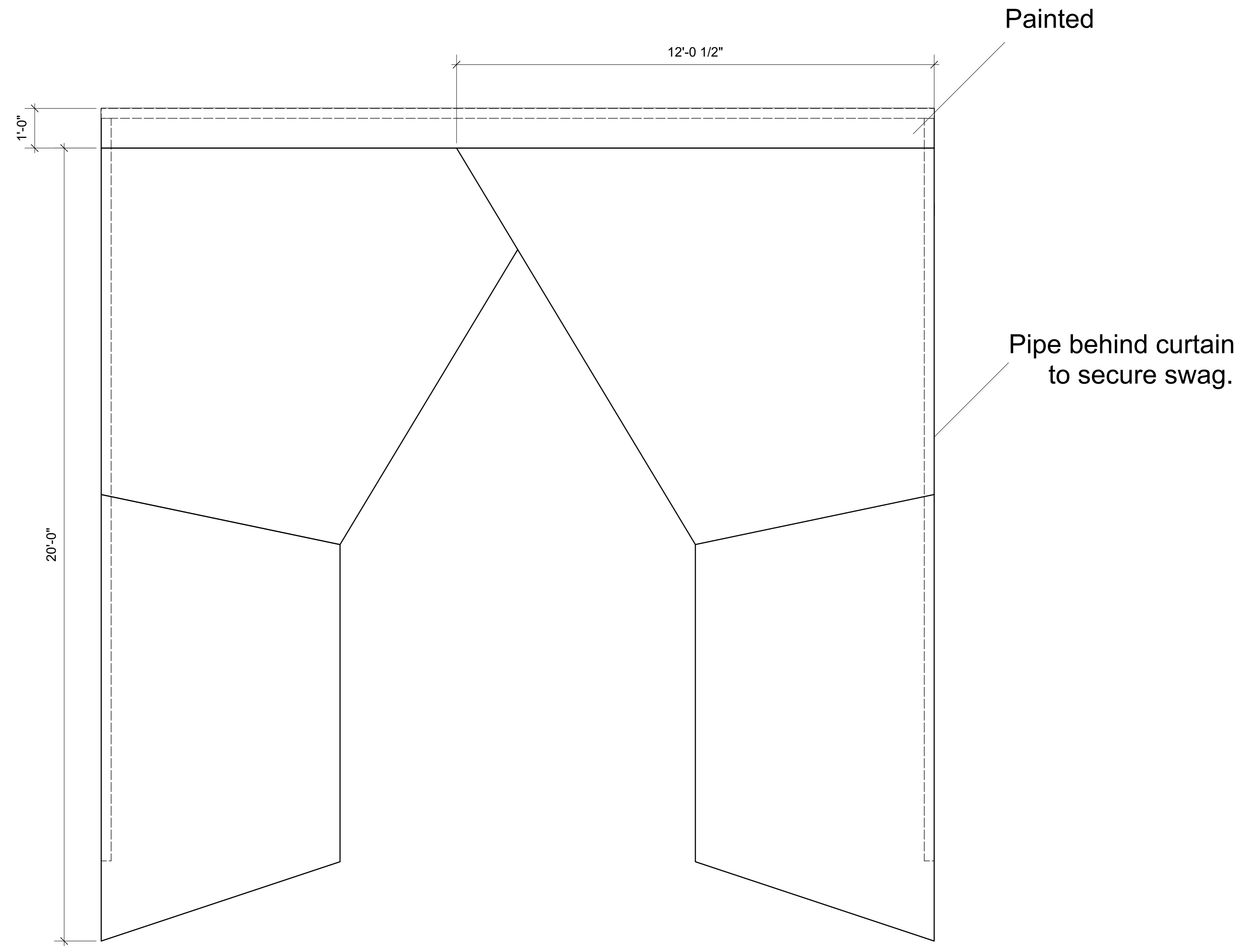
Date: **6/16/2023**

Scale: **N/A**

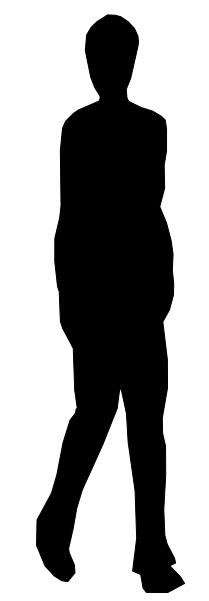
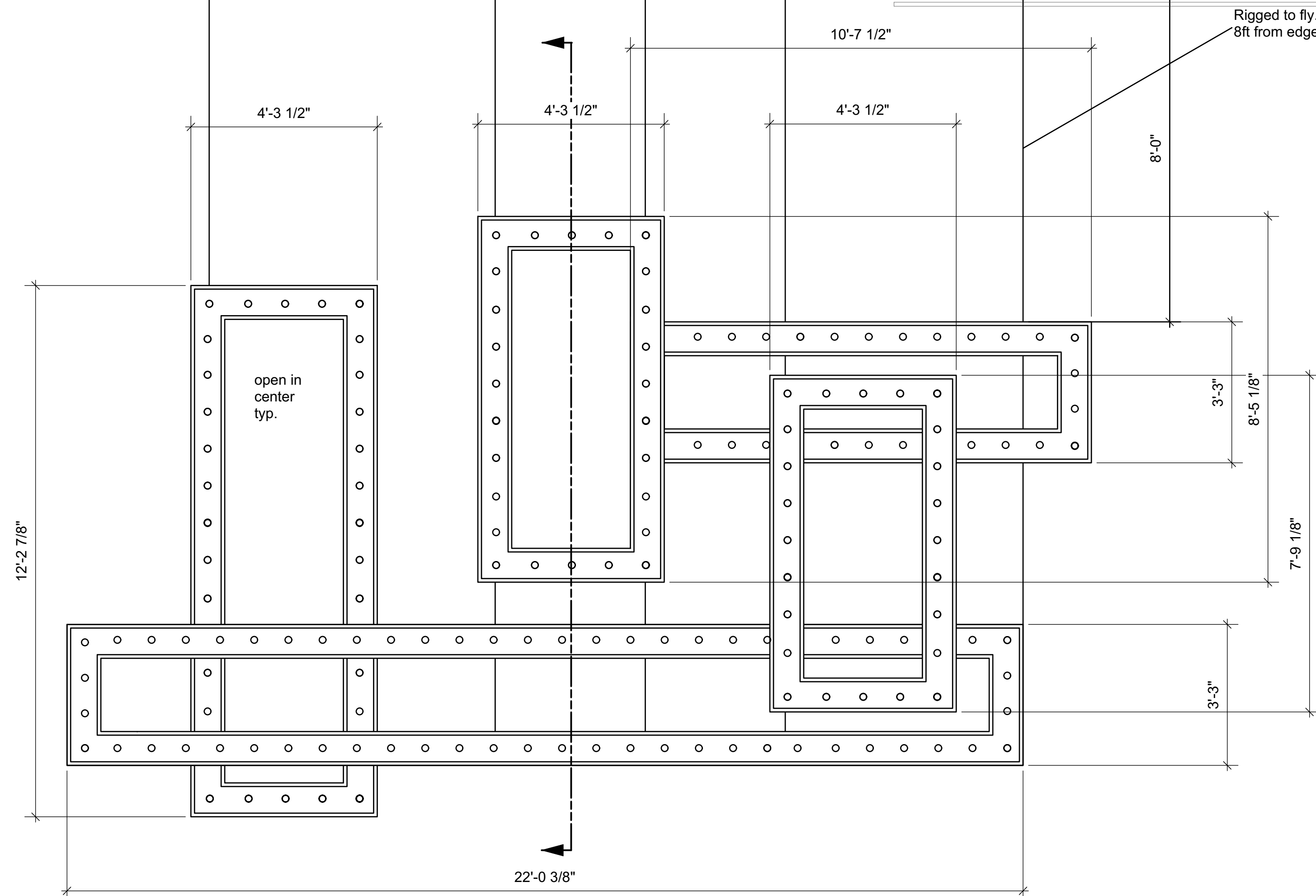
Sheet: **23**
 OF
27



 S.D. 7290 SCENIC DESIGNER <i>[Signature]</i>	
Designer/Contact Information: Julie Ray jaray@uga.edu (412) 215-7697	Drawn By: Cody Russel Revision Date:
NOTES: Hang from Lineset 21.	
Beautiful	Project: Aurora Theatre Producer: Aurora Theatre Purpose: Drifters Backdrop!
Date: 6/16/2023	
Scale: N/A	
Sheet: 24 OF 27	



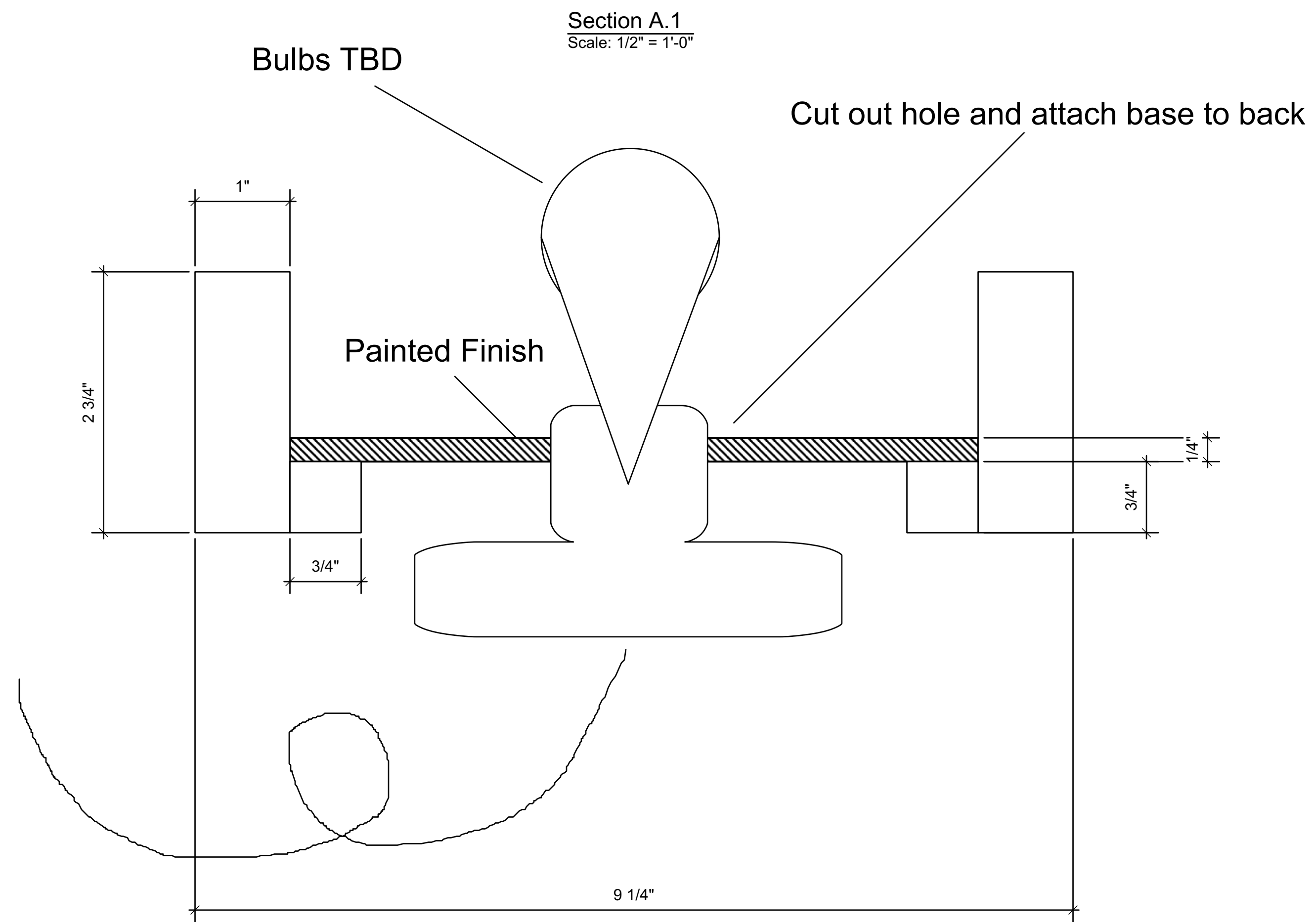
		S.D. 7290 SCENIC DESIGNER 	
Designer/Contact Information: Julie Ray jaray@uga.edu (412) 215-7697		Drawn By: Cody Russel Revision Date:	
NOTES: Use two panels of stock gold fabric. Fold the 25' panels in half. Swag the drape and secure to pipe that is hidden behind panels.		Project: <h1>Beautiful</h1>	
Producer: Aurora Theatre		Purpose: <h1>Shirelle's Backdrop</h1>	
Date: 6/16/2023		Scale: N/A	
Sheet: <h1>25</h1> OF <h1>27</h1>			



Elevation A
Scale: 1/2" = 1'-0"

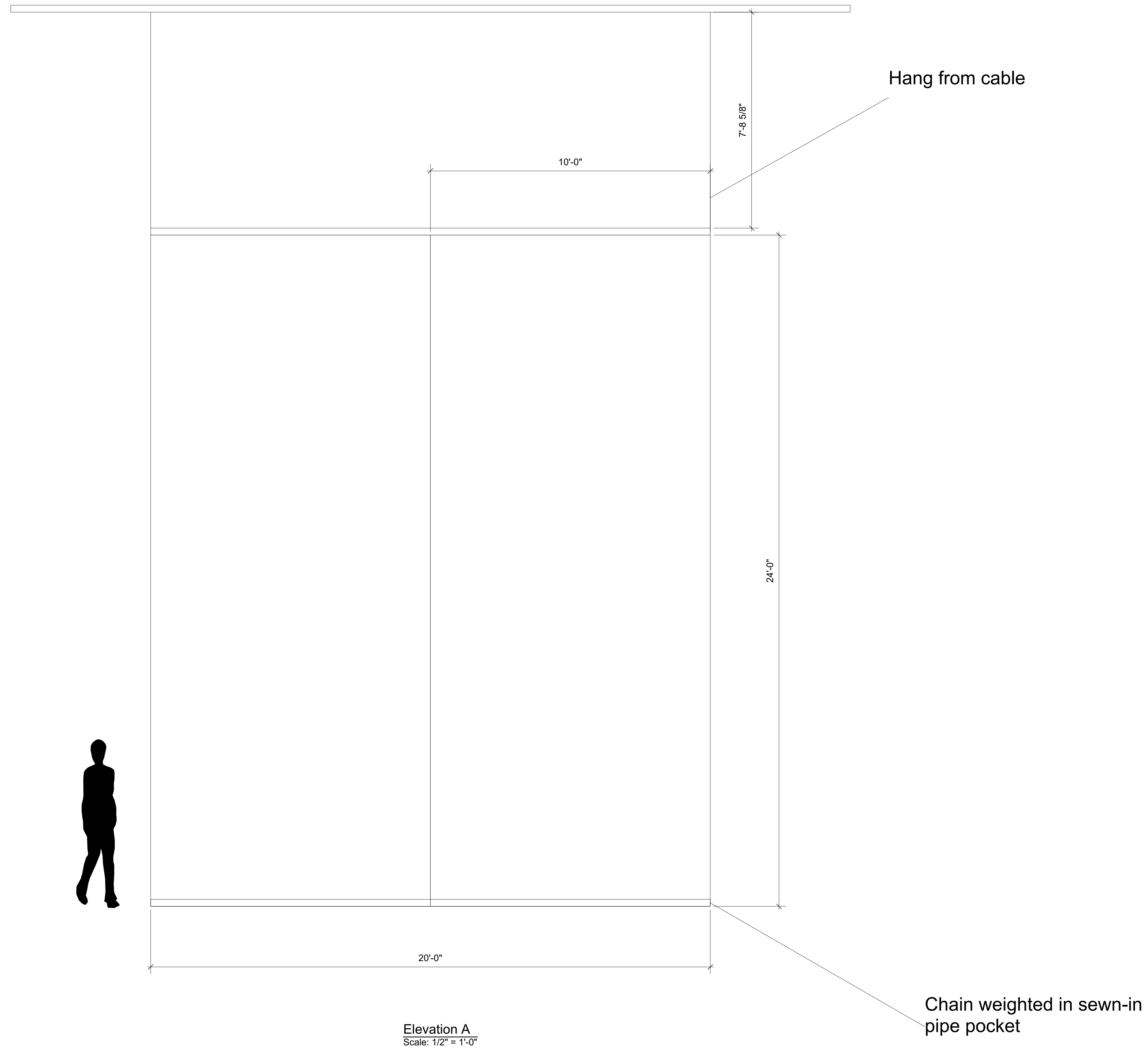


Plan View 1
Scale: 1/2" = 1'-0"



BROADWAY DETAIL 4
Scale: Actual Size

Designer/Contact Information: Julie Ray jaray@uga.edu (412) 215-7697	S.D. 7290 SCENIC DESIGNER
Drawn By: Cody Russel Revision Date:	NOTES:
Project: Beautiful	Producer: Aurora Theatre
Date: 6/16/2023	Purpose: Broadway Frames
Scale: N/A	
Sheet: 26 OF 27	



Elevation A
Scale: 1/2" = 1'-0"

<p>S.D. 7290 SCENIC DESIGNER</p>	<p>Designer/Contact Information:</p> <p>Julie Ray jaray@uga.edu (412) 215-7697</p>	<p>NOTES:</p> <p>Use stock sheer garnet drapery (panels measuring 10'x24') side by side. 2 layers deep (totalling 4 panels). Then hang Christmas lights from the pipe upstage of the curtains.</p>	<p>Project:</p> <p>Beautiful</p> <p>Producer: Aurora Theatre</p> <p>Purpose: Carnegie Backdrop</p>	<p>Date:</p> <p>6/16/2023</p>	<p>Scale:</p> <p>N/A</p>	<p>Sheet:</p> <p>27 OF 27</p>	<p>Drawn By: Cody Russel</p> <p>Revision Date:</p>
--------------------------------------	--	--	--	-------------------------------	--------------------------	---	--